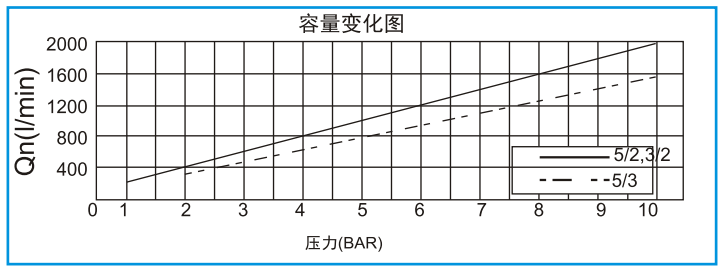
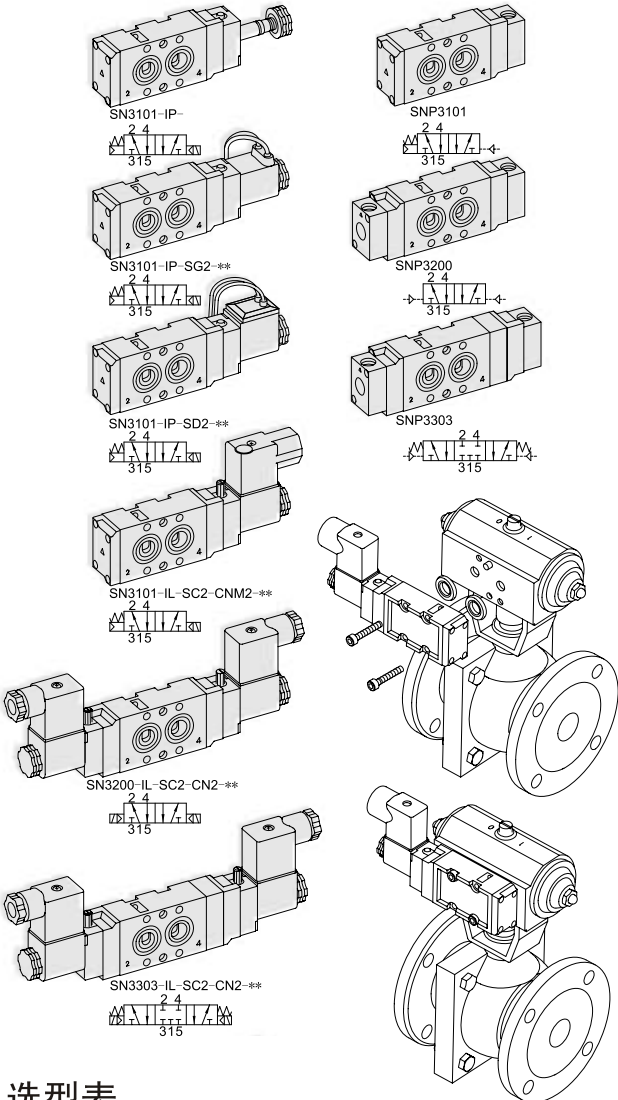


流体 / 功能	系列	
	2位5通	3位5通
流体	压缩气体和惰性气体	
压力 (bar)	1.5-10.0	2.0-10.0
有效截面积	18	12
环境与流体温度	5-60 (41-140°F)	
响应时间	30ms	40ms
最大工作频率	5C/sec	3C/sec
润滑	无要求 (用 ISO Vg32#)	
手动装置	手动按钮 (标准), 锁定钮 (可选)	
线圈绝缘等级	F级或相同等级	
允许电压波动范围	额定电压的 ± 10%	
关闭时最小的电压	AC 20% DC 10%	
功率消耗	持续电流 AC:5.5VA(60HZ)/DC:2.5W	

阀体: 压铸铝  
 密封: NBR  
 盖帽: 压铸锌  
 电枢: 不锈钢  
 阀芯: 铝  
 弹簧: 钢  
 先导部件: 玻璃尼龙  
 电枢密封: VITON



可选部件

金属连接器  
(材质: 压铸锌)

CNM2

端口间隔环  
(材质: 铝)

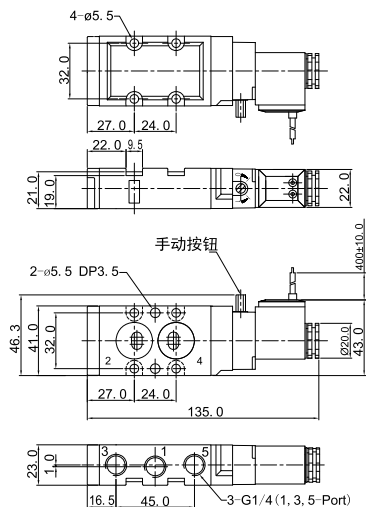
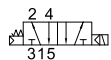
SN3000-BLK

## 选型表

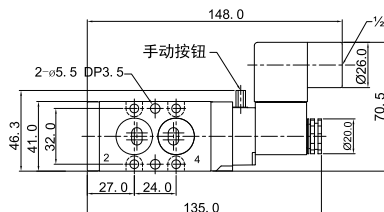
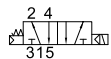
<b>SN3</b>	<b>1</b>	<b>0</b>	<b>1 - I</b>	<b>P -</b>	<b>SC2 -</b>	<b>CN2</b>	<b>-</b>	<b>A2</b>
<b>阀类别</b> SN3:电磁阀 SNP3:气动阀	<b>功能</b> 1:5/2单电控 2:5/2双电控 3:5/3中位封闭式 4:5/3中位排气式 5:5/3中位加压式	<b>复位方式</b> 0:无 1:气体+弹簧 2:气体 3:弹簧	<b>操作方式</b> 0:无 P:推、按、无锁 L:锁阀杆	<b>线圈类型</b> 0:无 1:3线插座式 SG2:直线出线式 SD2:带指示灯出线式	<b>电压</b> 0:无 A2:AC220V A1:AC110V A4:AC24V D4:DC24V D2:DC12V	<b>连接规格</b> 0:G1/4 1:NPT1/4	<b>内/外先导</b> I:内部先导	<b>连接器类型</b> 0:无 CN2:正常连接器 CD2:带指示灯器 CZ2:带指示灯和电流控制器的连接器 CNM2:金属连接器 CDM2:带指示灯金属连接器 CXM2:带指示灯和电流控制金属连接器

## 二位五通单电控

SN3101-IL-SD2

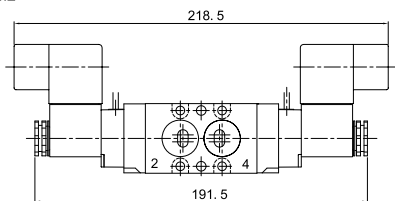
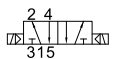


SN3101-IL-SC2-CNM2-\*\*



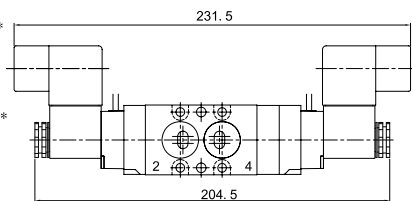
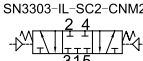
## 双电控

SN3200-IL-SC2-CNM2-\*\*

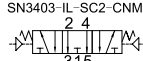


## 三位五通双电控

中央封闭  
SN3303-IL-SC2-CNM2-\*\*



中央排气  
SN3403-IL-SC2-CNM2-\*\*

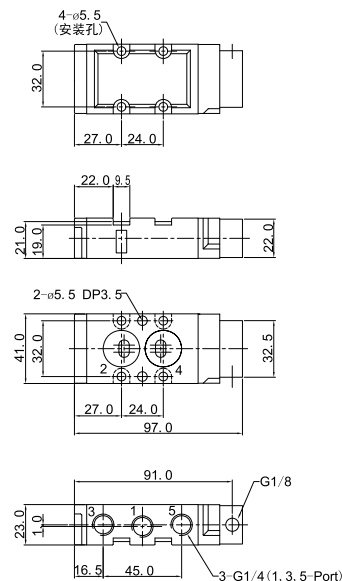
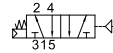


中央加压  
SN3503-IL-SC2-CNM2-\*\*



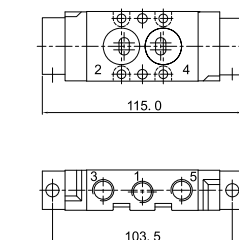
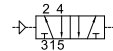
## 二位五通气控阀

SNP4101



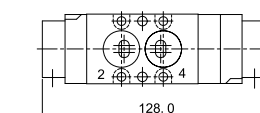
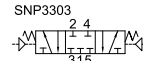
## 双气控

SNP3200

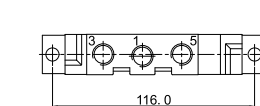
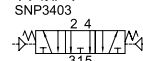


## 三位五通气控阀

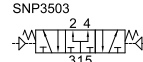
中央封闭  
SNP3303



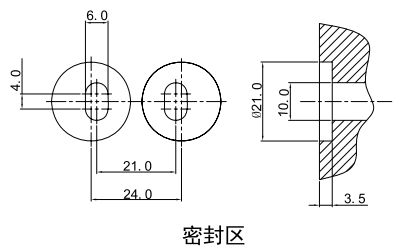
中央排气  
SNP3403



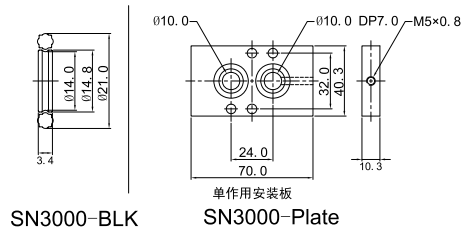
中央加压  
SNP3503



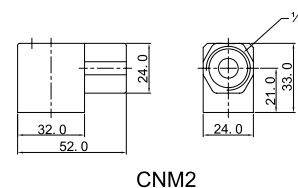
## 密封部分尺寸

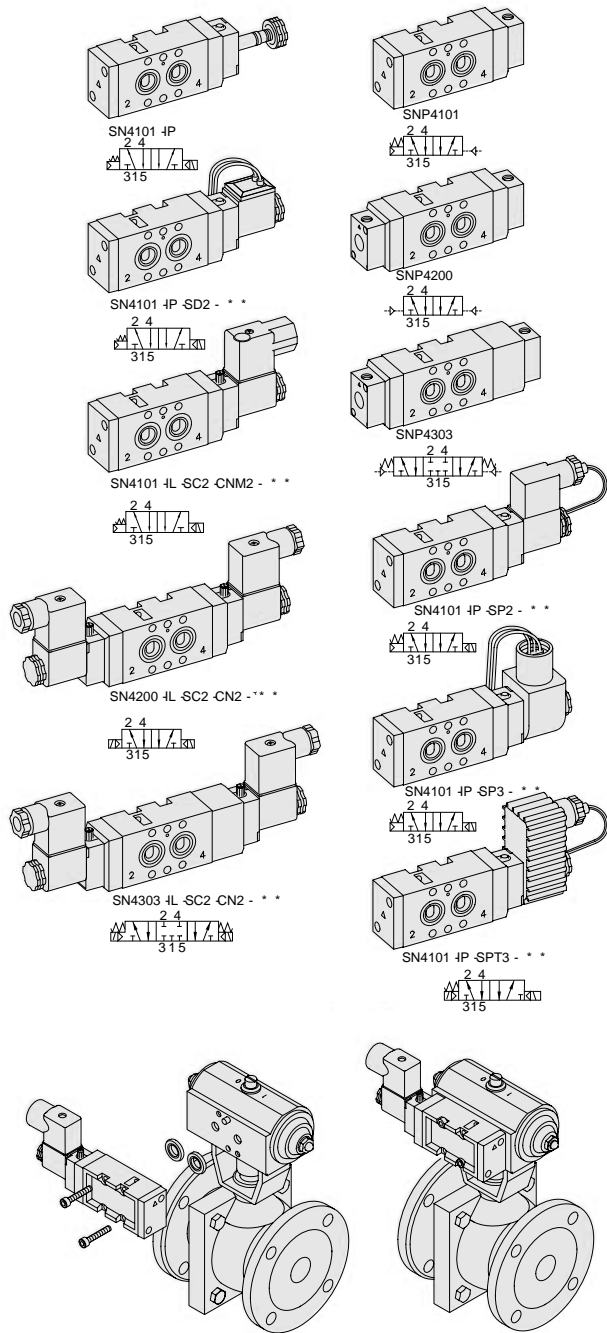


## 端口间隔环



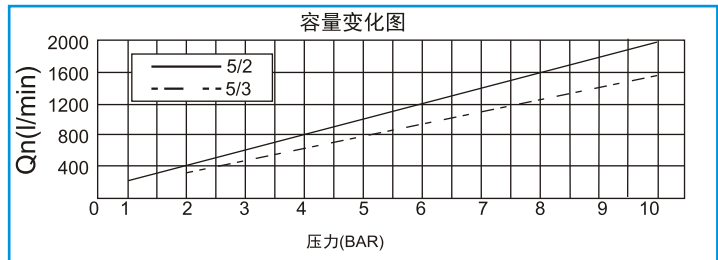
## 金属连接器





系列		电磁阀、气动阀	
		2位 5通	3位 5通
流体	功能	压缩气体和惰性气体	
压力 (bar)		1.5-10.0	2.0-10.0
有效截面积		32	16
环境与流体温度		5-60 (41-140°F)	
响应时间		30ms	40ms
最大工作频率		5C/sec	3C/sec
润滑		无要求 (用 ISO Vg32#)	
手动装置		手动按钮 (标准), 锁定钮 (可选)	
线圈绝缘等级		F级或相同等级	
允许电压波动范围		额定电压的 ± 10%	
关闭时最小的电压		AC 20% DC 10%	
功率消耗		持续电流 AC:5.5VA(60HZ)/DC:2.5W	

阀体: 压铸铝  
 密封: NBR  
 盖帽: 压铸锌  
 电极: 不锈钢  
 阀芯: 铝  
 弹簧: 钢  
 先导部件: 玻璃尼龙  
 电极密封: VITON



可选部件

金属连接器  
(材质: 压铸锌)

CNM2

端口间隔环  
(材质: 铝)

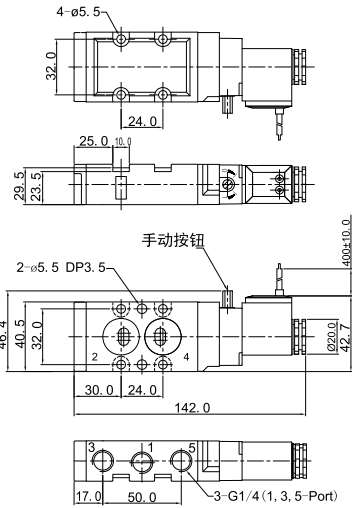
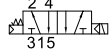
SN3000-BLK

## 选型表

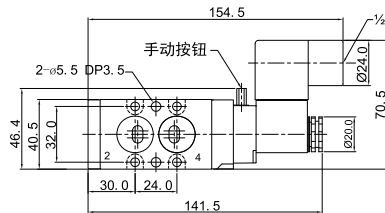
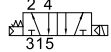
<b>SN4</b>	<b>1</b>	<b>0</b>	<b>1 - I</b>	<b>P</b>	<b>- SC2 -</b>	<b>CM2</b>	<b>-</b>	<b>A2</b>	
阀类别 SN4:电磁阀 SNP4:气动阀	功能 1:5/2单电控 2:5/2双电控 3:5/3中位封闭式 4:5/3中位排气式 5:5/3中位加压式	复位方式 0:无 1:气体+弹簧 2:气体 3:弹簧	操作方式 0:无 P:推、按、无锁 L:锁阀杆	线圈类型 0:无 SC2:3线插座式 SG2:直线出线式 SD2:带指示灯出线式	电压 0:无 A2:AC220V A1:AC110V A4:AC24V D4:DC24V D2:DC12V	连接器类型 0:无 CN2:正常连接器 CD2:带指示灯 C22:带指示灯和电流控制器的连接器 CNM2:金属连接器 CDM2:带指示灯金属连接器 CXM2:带指示灯和电流控制金属连接器		连接规格 0:G1/4 1:NPT1/4	内/外先导 I:内部先导

## 二位五通单电控

SN4101-IL-SD2-

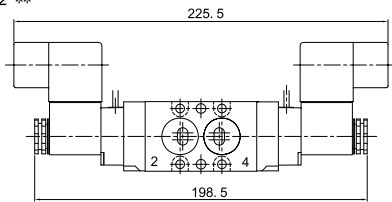
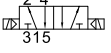


SN4101-IL-SC2-CNM2-\*\*



双电控

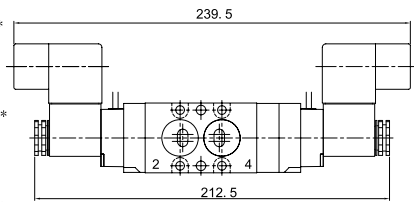
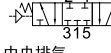
SN4200-IL-SC2-CNM2-\*\*



## 三位五通双电控

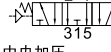
中央封闭

SN4303-IL-SC2-CNM2-\*\*



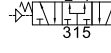
中央排气

SN4403-IL-SC2-CNM2-\*\*



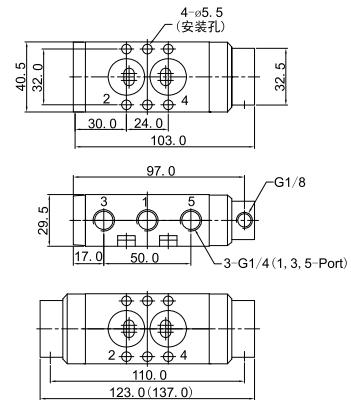
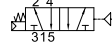
中央加压

SN4503-IL-SC2-CNM2-\*\*



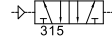
## 二位五通气控阀

SNP4101



Double Pneumatic

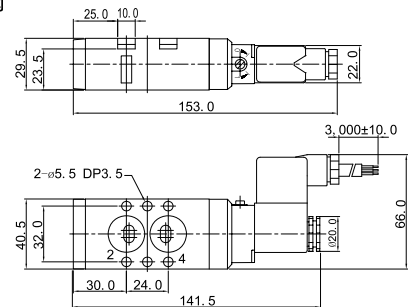
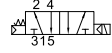
SNP4200



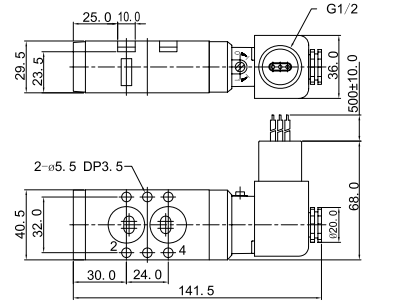
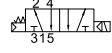
## 二位五通防爆电磁阀

Single Solenoid

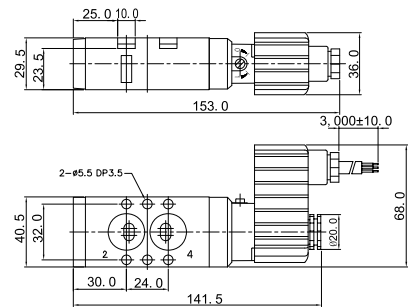
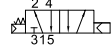
SN4101-IP-SP2-\*\*



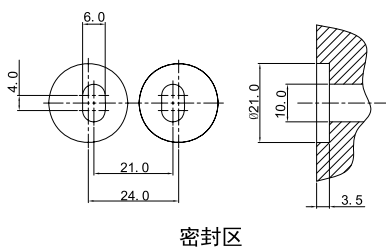
SN4101-IP-SP3-\*\*



SN4101-IP-SPT3-\*\*

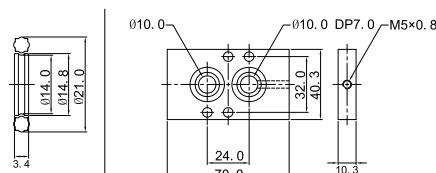


## 密封部分尺寸



密封区

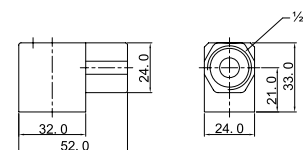
## 端口间隔环



SN3000-BLK

SN3000-Plate

## 金属连接器



CNM2



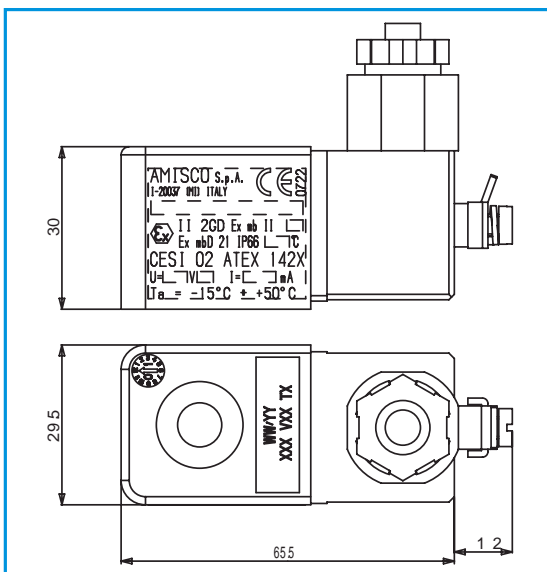
**Avvolgimenti elettrici**  
防爆线圈

该线圈可以在有潜在爆炸性可能的环境（II级）中使用，主要应用于气动方面的特殊线圈使EVI7 S9电磁阀线圈系统更加完善、它完全满足EN60079-0, EN60079-18, EN61241-0, EN61241-18的要求，属于“浇封型”保护模式。

AMISCO has completed the EVI7 S9 solenoid system with a special coil for pneumatic applications in potentially explosive ambient (group II), that fullfills the requirements of EN 60079-0, EN 60079-18, EN 61241-0, EN 61241-18, for protection mode "m"

# 3009M Ex m

## 94/9/CE ATEX



EVI 30/9 Eexm线圈提供1.2米的连接线，根据需要可以提供其它长度的连接线（从1.5米到10米）线圈有CESI颁发的T4温度（线圈表面温度最大135°C）和T5温度级（线圈表面温度最大100°C）证明书；防爆认证为最新的ATEX 142X认证，可以确保在安全的温度下熔断器起到保护作用，使线圈的电路断开。

The type **3009M Ex m** coil is supplied with 1.2m cable connection, other lengths (from 1.5m to 10m) are available on request.

The coil is certified by CESI in thermal class T5 (with coil surface temperature max 100°C) or T4 (with coil surface temperature max 135°C).

**Ec-Type Examination Certificate** number: CESI 02 ATEX 142 X and extension N° 02/07. Notification number: CESI 03 ATEX 075 Q.

The protection is assured by a thermal fuse that, in case of damage, disconnects the coil from power.

**The product** Is developed to be used in ambients with temperature range from -15°C to +50°C, and it has a power consumption of 3.8W for type T4 and 3W for type T5.

**The coil** Fits all Amisco standard operators 3/2 or 2/2 way NC or NO, threaded or flange types.

**All main voltages** Are available.

**For other technical specifications** See below and backwards.

产品被应用于-15°C到+50°C的环境温度，并且它有一个T4型3.8W和一个T5型3W的电能消耗线圈符合所有Amisco的两位三通，两位三通；常开或常闭型螺纹与法兰连接形式先导头标准防爆证书或其它特殊要求请向Amisco咨询其它的技术参数请参阅以下：

**DC solenoids**

Coil Code	Vn [V]	f [Hz]	I [A]	P [W]	Temperature Class
3009MD006W3	6	-	0.510	3	T5
3009MD012W3	12	-	0.250	3	T5
3009MD024W3	24	-	0.125	3	T5
3009MD048W3	48	-	0.063	3	T5
3009MD006W4	6	-	0.640	3.8	T4
3009MD012W4	12	-	0.320	3.8	T4
3009MD024W4	24	-	0.160	3.8	T4
3009MD048W4	48	-	0.080	3.8	T4

**AC solenoids**

Coil Code	Vn [V]	f [Hz]	I [A]	P [VA]	Temperature Class
3009MA012W2	12	50/60	0.2700	3.2	T5
3009MA024W2	24	50/60	0.1330	3.2	T5
3009MA048W2	48	50/60	0.0670	3.2	T5
3009MA100W2	100	50/60	0.0320	3.2	T5
3009MA110W2	110	50/60	0.0290	3.2	T5
3009MA115W2	115	50/60	0.0280	3.2	T5
3009MA120W2	120	50/60	0.0270	3.2	T5
3009MA220W2	220	50/60	0.0146	3.2	T5
3009MA230W2	230	50/60	0.0140	3.2	T5
3009MA240W2	240	50/60	0.0134	3.2	T5

# AMISCO防爆线圈

ADESUN

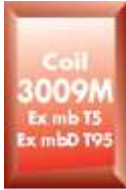



## SOLENOID SYSTEMS Ex m

for 2/2 and 3/2 way normally closed and normally open valves

2/2, 3/2常开或常闭型阀

Characteristics (特点)

			DC			AC 50 Hz	AC 60 Hz
	3009M...W.	Rated power DC (标称功率 直流) W	3				
		Inrush power AC (标称功率 交流) VA				4.8	4
		Rated power AC (标称功率 交流) VA				3.2	2.7
		Coil temperature rise (线圈升温)	35			15	10
		Copper temperature rise (铜线升温)	40			30	25
	3009M...W.	Rated power DC (标称功率 直流) W		3.8			
		Inrush power AC (标称功率 交流) VA					
		Rated power AC (标称功率 交流) VA					
		Coil temperature rise (线圈升温)		50			
		Copper temperature rise (铜线升温)		55			
3/2 way NC		Inlet orifice Ø (入口通径) mm	1.3	1.5	1.5	1.5	
		Exhaust orifice Ø (排气口通径) mm	1.4	1.4	1.4	1.4	
		Working pressure (工作压力) bar	0-10	0-10	0-10	0-10	
2/2 way NC		Inlet orifice Ø (入口通径) mm	1.3	1.5	1.5	1.5	
		Working pressure (工作压力) bar	0-10	0-10	0-10	0-10	
3/2 way NO		Inlet orifice Ø (入口通径) mm	1.4	1.4	1.4	1.4	
		Working pressure (工作压力) bar	0-7	0-10	0-10	0-10	

Notes (注意) :

Temperature range (环境温度) : -15°C ~ +50°C

Standard voltages (标称电压) : 12 to 240 VAC - 50/60 Hz

Duty cycle (工作时间) : 100%

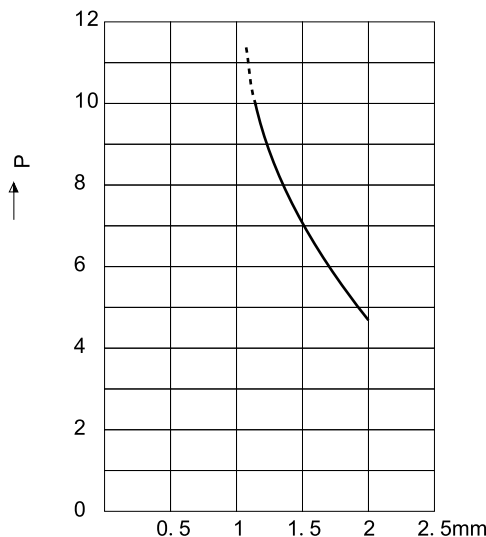
6 to 48 VDC

Voltage tolerance (电压范围) : ±10%

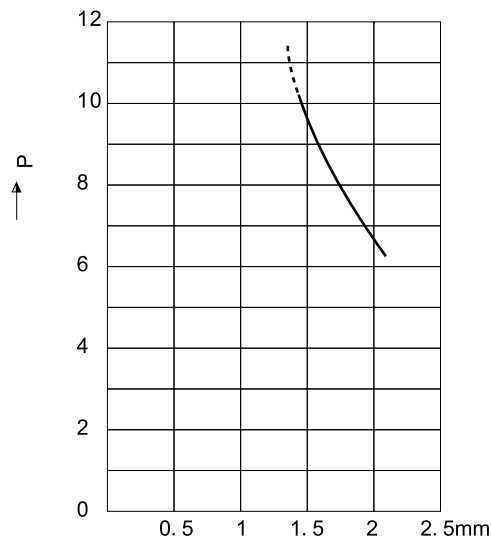
For different orifice sizes and pressures contact AMISCO (特殊要求请联系AMISCO公司)。

### PERFORMANCES (性能)

3 W Ccoil-DC  
bar



3,2 VA Coil-AC  
3,8 W Coil-DC  
bar



About -mentioned characteristics have to be intended only as indicative. They may change according to the tube design solutions. (以上线圈特点, 仅供参考, 具体要根据导磁管的设计。)





**Avvolgimenti elettrici**  
防爆线圈

该线圈可以在有潜在爆炸性可能的环境（II级）中使用，主要应用于气动方面的特殊线圈使EVI7 S9电磁阀线圈系统更加完善、它完全满足EN60079-0, EN60079-1 EN60079-18, EN60079-31的要求。

Amisco has completed the EVI7 S9 Solenoid System with a special coil for pneumatic applications in potentially explosive ambient (group II), that fulfills the requirements of EN 60079-0, EN 60079-1, EN 60079-18 and EN 60079-31.

# 3009M Ex dm

## 94/9/CE ATEX



The coil is certified by TÜV in thermal class T5 (with coil surface temperature max 100°C) or T4 (with coil surface temperature max 135°C).

**Ec-Type Examination Certificate** number: TÜV 13 ATEX XXX.

The protection is assured by a thermal fuse that, in case of damage, disconnects the coil from power.

The product is developed to be used in ambients with temperature range from 50°C to +50°C, and it has a power consumption of 3.8W for type T4 and 3W for type T5.

The coil fits all Amisco standard operators 3/2 or 2/2 way NC or NO, threaded or flange types.

All main voltages are available.

For other technical specifications see below and next page.

Please contact Amisco S.p.A for use with other media.

All given information are subjected to changes without notice.

线圈有TÜV T5温度级(线圈表面温度最大100°C)和T4温度级(线圈表面温度最大135°C)证明书。

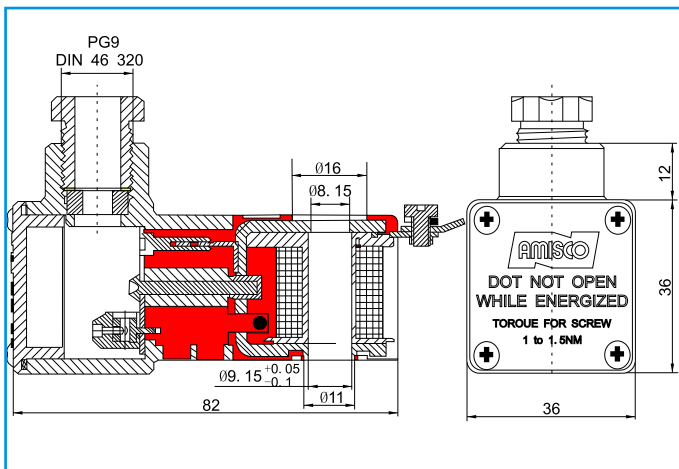
证书编号：TÜV 13 ATEX XXX。可以确保在安全的温度下熔断器起到保护作用，使线圈的电路断开。

产品被应用于-15°C到+50°C的环境温度，并且它有一个T4型3.8W和一个T5型3W的电能消耗线圈符合所有Amisco的两位两通，两位三通、螺纹与法兰连接类型的。

其他技术规范见下页。

使用说明请联系Amisco及其它媒介。

所有给定的信息接受更改，恕不另行通知。



	Specific marking of explosion protection.
II	Group II – Electrical apparatus for places with a potentially explosive atmosphere, other than mines susceptible to fire dump.
2	Category 2 – see the board below.
G	Explosive gas atmospheres.
D	Explosive atmosphere in the presence of combustible dust.
Ex	The symbol Ex which indicates that the electrical apparatus corresponds to one of the protection type (EN 60079-0).
d	Type of protection for gas – enclosure “d”.
mb	Type of protection for gas – encapsulation “m”, level “mb”.
tb	Type of protection for explosive dust atmospheres – protection by enclosure.
IIC	Electrical equipment of Group II is subdivided according to the nature of the explosive gas atmospheres – IIC, a typical gas is hydrogen.
IIIC	Electrical equipment of Group III is subdivided according to the nature of the explosive dust atmospheres – IIIC, conductive dust.
T5 or T4	Temperature Class. T5 or T4.
Gb	Equipment protection level [EPL] for explosive gas atmospheres.
Db	Equipment protection level [EPL] for explosive dust atmospheres.
IP66	The degrees of protection provided by an enclosure against ingress of solid foreign objects, dust (first number) and water (second number).

Zone	Category	Description
1 and 2	2G	? quipment in this category is intended for use in areas in which explosive atmospheres caused by air/gas mixtures are likely to occur.
21 and 22	2D	? quipment in this category is intended for use in areas in which explosive atmospheres caused by air/dust mixtures are likely to occur.

for 2/2 and 3/2 way normally closed and normally open valves

2/2, 3/2常开或常闭型阀

Coil 3009 DM	Code	Characteristics (特点)	DC		AC 50 Hz
II2G Ex dmb IIC T5 GB II2D Ex tb IIIC T5 Db	30XDM...	Rated power DC (标称功率 直流) W	3		
		Inrush power AC (标称功率 交流) VA			4.8
		Rated power AC (标称功率 交流) VA			3.2
		Coil temperature rise (线圈升温)	35		15
		Copper temperature rise (铜线升温)	40		30
II2G Ex dmb IIC T4 GB II2D Ex tb IIIC T4Db	30XDM...	Rated power DC (标称功率 直流) W		3.8	
		Inrush power AC (标称功率 交流) VA			
		Rated power AC (标称功率 交流) VA			
		Coil temperature rise (线圈升温)		50	
		Copper temperature rise (铜线升温)		55	
3/2 way NC	09L...	Inlet orifice Ø (入口通径) mm	1.3	1.5	1.5
	09F...	Exhaust orifice Ø (排气口通径) mm	1.4	1.4	1.4
		Working pressure (工作压力) bar	0-10	0-10	0-10
2/2 way NC	09L...	Inlet orifice Ø (入口通径) mm	1.3	1.5	1.5
	09F...	Working pressure (工作压力) bar	0-10	0-10	0-10
3/2 way NO	09L...	Inlet orifice Ø (入口通径) mm	1.4	1.4	1.4
	09F...	Working pressure (工作压力) bar	0-7	0-10	0-10

Notes (注意) :

Temperature range (环境温度) : -15°C~ +50°C      Standard voltages (标称电压) : 12 to 240 VAC - 50/60 Hz

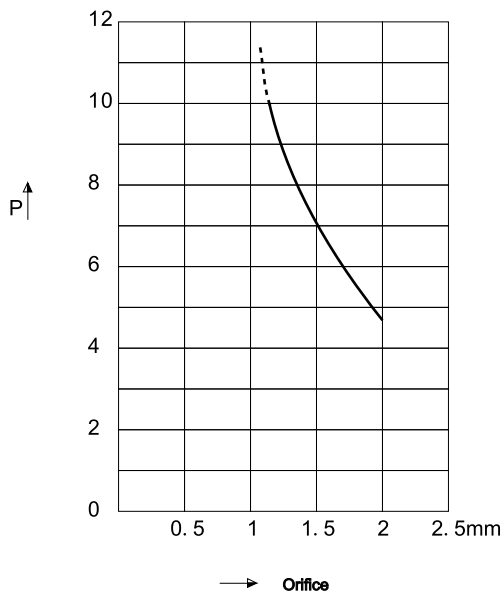
Duty cycle (工作时间) : 100%      6 to 48 VDC

Voltage tolerance (电压范围) : ±10%

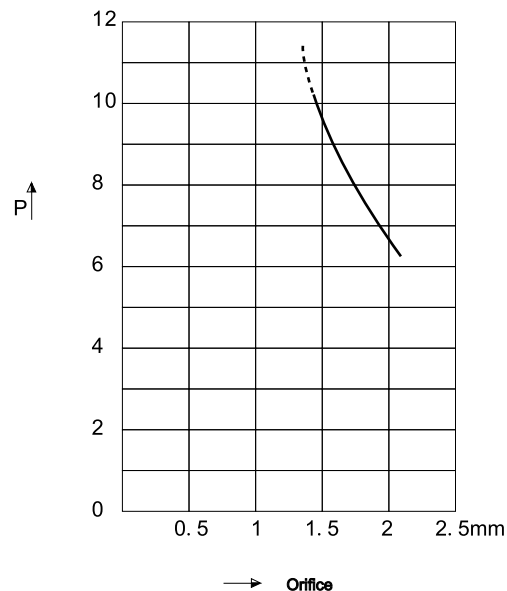
For different orifice sizes and pressures contact AMISCO (特殊要求请联系AMISCO公司)。

## PERFORMANCES (性能)

3 W Ccoil-DC  
bar



3,2 VA Coil-AC  
3,8 W Coil-DC  
bar



About -mentioned characteristics have to be intended only as indicative. They may change according to the tube design solutions. (以上线圈特点, 仅供参考, 具体要根据导磁管的设计。)





## EVI线圈 S9先导阀




The coil is available in different sizes and with different electrical terminations. Types, power and other characteristics are described in the following pages. All coils feature:

- heat resistant bobbin moulded with 30% glass filled thermoplastic polyester material
- class H wire 200°C according to IEC 60317-13
- built-in magnetic yoke made by low carbon iron
- encapsulation with high quality specially designed glass filled nylon (thermoset material on demand for 22 mm coil).

The use of other materials is possible upon special agreements. All coils are rated to class F and to IP 65 (with connector). The coil is designed and constructed in accordance to EN 60204.1 and VDE 0580 and it is suitable for industrial ambient conditions. For use in special ambients with high humidity, we suggest the sealed or thermoset version; at any case, please, take contact with Amisco.

- 高耐热PBT骨架
- H级漆包线
- 低碳钢导磁金属骨架
- 特殊尼龙及填充玻璃纤维封装
- 所有线圈符合F级耐热及IP65保护等级（带接线盒）
- 线圈符合CE标准
- 可提供引线，DIN43650, AMP三种电气接头。

Electrical terminations 电气端子	Code 型号	Characteristics (参数)	DC				AC 50Hz		AC 60Hz	
			W	3	6.5					
 Terminals AMP 6.3x0.8 width 11 mm (端子 AMP 6.3x0.8)  Terminals DIN 43650 B (端子 DIN 43650 B)  Flying leads (引线)	0709S...	Rated power DC (标称功率 直流)	W	3	6.5					
	0709D...	Inrush power AC (标称功率 交流)	VA			7.5	12.5	6.5	10.5	
	0709C...	Rated power AC (标称功率 交流)	VA			5	8.5	4.2	7	
		Coil temperature rise (线圈升温)		35	70	45	85	35	70	
		Copper temperature rise (铜线升温)		40	80	55	90	45	80	

Notes(注意) :

Temperature range (环境温度) : -15°C ÷ +50°C

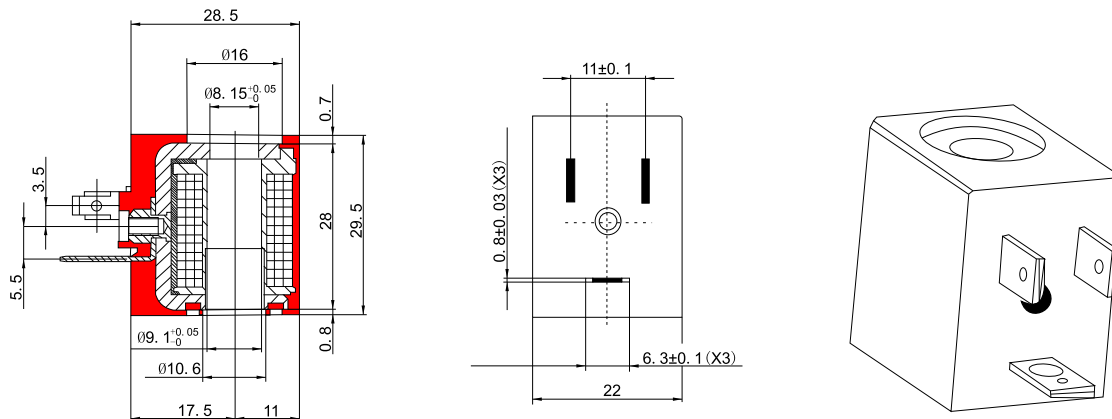
Standard voltages (标称电压) : 12 to 240 VAC - 50/60 Hz

Duty cycle (工作时间) : 100%

6 to 48 VDC

Voltage tolerance (电压范围) : ±10%

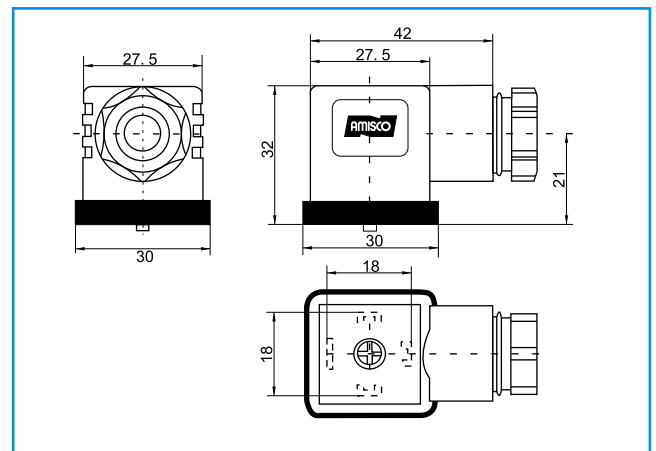
For different orifice sizes and pressures contact AMISCO



Connector System  
接线盒系列



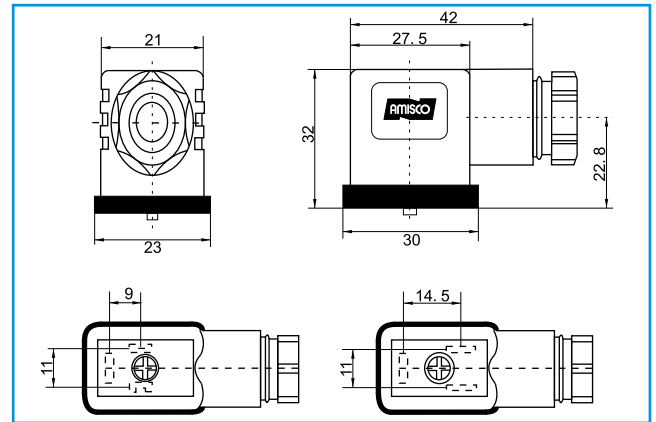
DIN43650A  
For 30mm coil types  
(EVI30, EVI5, EVI3)  
Protection Class: IP65. IEC60529



DIN43650 A型接线盒  
用于30mm线圈  
(EVI30, EVI5, EVI3)  
保护等级: IP65. IEC60529



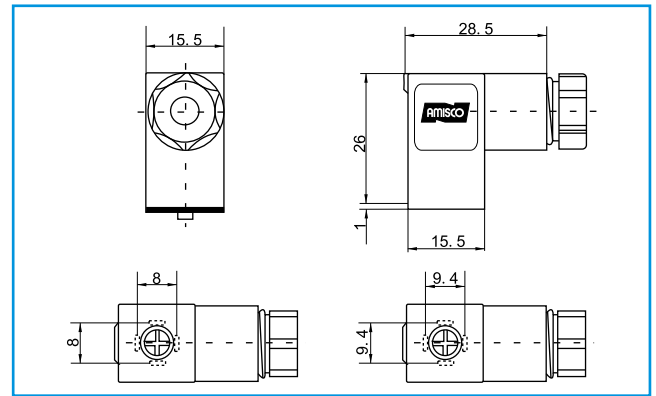
DIN43650B/INDUSTRIAL  
For 22mm coil types  
(EVI7/9, EVI7/8, EVI710)  
Protection Class: IP65. IEC60529



DIN43650 B型接线盒  
用于22mm线圈  
(EVI7/9, EVI7/8, EVI710)  
保护等级: IP65. IEC60529



DIN43650B/INDUSTRIAL  
For 15mm and 17mm coil types  
(EVI9, 15mm pilot valve)  
Protection Class: IP65. IEC60529



DIN43650 C型接线盒  
用于15mm和17mm线圈  
(EVI9, 15mm先导阀)  
保护等级: IP65. IEC60529