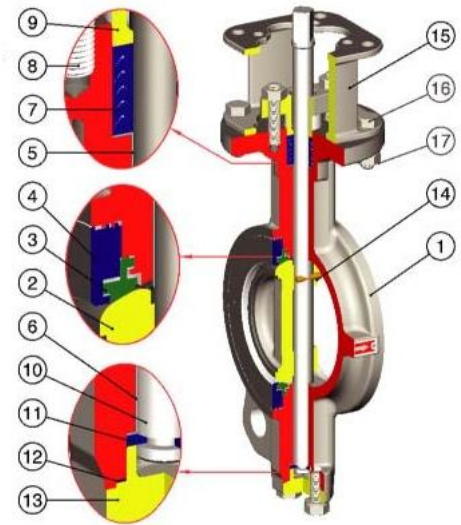


Art.290系列高性能双偏芯蝶阀

Art.290 series high performance double eccentric butterfly valves



部件介绍 Construction Details

阀轴(10) - 一片式设计, 符合ISO5211标准的方形连接轴。
Stem(10) - One Piece design with ISO 5211 square drive.

填料(7) - 增加密封的密封性。 Packing(7) - Multiply Rows of Teflon Chevron.

止动器(4) - 独特方形螺纹设计, 确保持久的密封接触。
Retainer(4) - Patented design of square thread, ensures an un-interrupted sealing face. Flange face equipped with 125-200AARH finish and is compatible with both flat and spiral wound gaskets.

阀体(1) - 防止阀板脱离其旋转的轨道。 Integral Disc stop(1) - To prevent disc from over travel.

阀座(3) - 不管在任何压力下, 阀座可保持零泄漏。
Teflon Seat(3) - Pressure assisted to give Bi-directional bubble tight shut off at all pressures. (Valve must be installed with retaining ring upstream for dead end service.)

防爆出环(11) - 防止轴爆出和防静电装置 Thrust Ring(11) - Anti blow out shaft and Anti static design.

轴承(5&6) - 上下轴承都是由PTFE浸渍316SS构成
Bearings(5&6) - Upper and Lower bearings are constructed of PTFE impregnated 316SS.

阀轭(15) - 熔模铸造, 符合ISO5211标准 Yoke(15) - Investment Cast, per ISO 5211

No.	名称 Name	材质 Materials	规格 Specification		备注 Remark	
1	阀体 BODY	碳钢 CARBON STEEL	JIS	ASTM		
			SC480	A216 WCB		
		不锈钢 STAINLESS STEEL	SCS13A	A351 CF8		
			SCS14A	A351 CF8M		
		SCS16A	A351 CF3M			
2	阀板 DISC	不锈钢 STAINLESS STEEL	SCS13A	A351 CF8	阀板边缘为镀铬合金, 当密封为RTFE Disc edge has to be hard chrome plated when equipped RTFE seat	
			SCS14A	A351 CF8M		
			SCS16A	A351 CF3M		
3	阀座 SEAT	PTFE			-29 °C -160 °C	
			PTFE+15% GLASS			-29 °C -180 °C
			PTFE+15% GRAPHITE			-29 °C -210 °C
4	止动器 RETAINER	不锈钢 STAINLESS STEEL	SCS13A	A351 CF8		
			SCS14A	A351 CF8M		
			SCS16A	A351 CF3M		
5	衬垫 BUSHING	PTFE+216SS				
6	衬垫 BUSHING	PTFE+316SS				
7	填料 GLAND PACKING	PTFE			-29 °C -160 °C	
			PTFE+15% GRAPHITE			-29 °C -210 °C
8	螺栓 SHUD	不锈钢 STAINLESS STEEL	SUS304	A193 B8		
			SCS13A	A351 CF8		
9	格南 GLAND	不锈钢 STAINLESS STEEL	SCS14A	A351 CF8M		
			SUS410	A182 F6A		
			SUS304	A182 F304		
10	阀轴 STEM	不锈钢 STAINLESS STEEL	SUS316	A182 F316	当密封为PTFE且密封压盖填料为石墨时, 阀杆为镀铬合金 Stem has to be hard chrome plated when equipped with PTFE+Graphite gland packing	
			SUS630	A564 630		
			XM-19	A479 XM-19		
			SUS316	A240 316		
11	防爆出环 THRUST RING	不锈钢 STAINLESS STEEL	SUS316	A240 316		
12	密封 SEAL	PTFE				
13	底盖 BOTTOM COVER	不锈钢 STAINLESS STEEL	SCS13A	A351 CF8		
			SCS14A	A351 CF8M		
			SCS16A	A351 CF3M		
		碳钢 CARBON STEEL	SC480	A218 WCB		
14	插销 PIN	不锈钢 STAINLESS STEEL	SUS316	A182 F318		
15	阀轭 YOKE	韧性铁 DUCTILE IRON	FCD450	A536 65-45-12	只适合24"蝶阀 For 24" valve only	
		碳钢 CARBON STEEL	SC480	A216 WCB	标准 Regular	
		不锈钢 STAINLESS STEEL	SCS13A	A351 CF8	可选 Option	
16	螺栓 BOLT	不锈钢 STAINLESS STEEL	SUS304	A193 B8		
17	螺母 NUT	不锈钢 STAINLESS STEEL	SUS304	A194 8		

Art.290系列高性能双偏芯蝶阀

Art.290 series high performance double eccentric butterfly valves



Kv值、扭矩表 KV、Torque

KV

SIZE		阀门开度 Valve Opening								
		10°	20°	30°	40°	50°	60°	70°	80°	90°
DN40	1-1/2"	0.7	2.4	6.9	14.2	22	36	59	81	113
DN50	2"	1.1	3.8	10.2	22	38	60	100	132	193
DN65	2-1/2"	2	7.5	18.2	35	61	95	187	240	315
DN80	3"	2.5	9.8	26	48	83	126	214	338	425
DN100	4"	3.8	14.6	39	72	119	221	361	606	723
DN125	5"	6.5	24	62	118	217	394	599	1038	1243
DN150	6"	10	41	95	175	326	542	873	1260	1859
DN200	8"	19	64	165	306	573	995	1567	2310	3124
DN250	10"	28	101	245	451	836	1462	2253	3256	4757
DN300	12"	34	129	312	615	1137	2125	3248	4991	7058
DN350	14"	47	163	390	795	1498	2573	3980	5749	8319
DN400	16"	62	231	508	1077	1971	3381	5385	8099	11458
DN450	18"	75	256	621	1208	2315	3925	6331	9474	13612
DN500	20"	103	346	859	1692	3086	5348	8513	13109	18748
DN600	24"	139	494	1153	2389	4466	7561	11945	18088	25217
DN700	28"	191	659	1674	3224	5990	10659	17442	25194	36821
DN750	30"	203	700	1777	3420	6354	11307	18503	26727	39062
DN800	32"	257	973	2302	4533	8235	14123	23021	31613	45995
DN900	36"	329	1253	2950	5862	10810	18184	29756	42893	61044
DN950	38"	460	1730	4020	7180	12170	19800	32490	49320	62150
DN1000	40"	510	1919	4456	7956	13494	21939	36000	54649	68874
DN1050	42"	562	2116	4913	8771	14877	24188	39690	60251	75934
DN1100	44"	617	2322	5392	9627	16328	26546	43560	66125	83338
DN1200	48"	734	2763	6417	11457	19431	31592	51840	78695	99179

KV值表示20°C的水在1Kg/Cm²压强下1小时流过的立方米数量。Cv=1.117Kv

Kv Value denotes the flow rate in m3/hr for water at 20°C under a pressure differential 1Kg/Cm².Cv=1.17Kv

扭矩 Torque(NM)

SIZE		润滑油（非腐蚀性）Lubricating(Non-corrosive) ΔP (bar)				无润滑Non-Lubricating ΔP (bar)		
		3	6	10	16	3	6	10
DN40	1-1/2"	15	17	19	23	19	21	23
DN50	2"	15	17	19	23	19	21	23
DN65	2-1/2"	18	20	22	26	22	24	27
DN80	3"	28	31	34	41	34	38	42
DN100	4"	37	41	45	54	45	50	56
DN125	5"	61	68	76	91	76	84	93
DN150	6"	116	127	140	154	126	138	152
DN200	8"	171	190	211	253	211	234	260
DN250	10"	275	306	340	408	340	378	420
DN300	12"	381	423	470	564	470	522	580
DN350	14"	545	605	672	-	672	747	830
DN400	16"	728	809	899	-	899	999	1110
DN450	18"	912	1013	1126	-	1126	1251	1390
DN500	20"	1135	1261	1401	-	1401	1557	1730
DN600	24"	1325	1472	1636	-	1636	1818	2020
DN700	28"	2339	2599	2888	-	2888	3209	3566
DN750	30"	2608	2898	3220	-	3220	3578	3975
DN800	32"	3008	3342	3713	-	3713	4125	4583
DN900	36"	3828	4253	4726	-	4726	5251	5834
DN950	38"	4415	4920	6610	-	5450	6050	7100
DN1000	40"	5090	5680	7620	-	6280	7010	9410
DN1050	42"	5611	6262	8401	-	6924	7728	10374
DN1100	44"	6158	6872	9262	-	7599	8481	11385
DN1200	48"	7328	8178	11022	-	9043	10093	13548

包含30%安全系数。

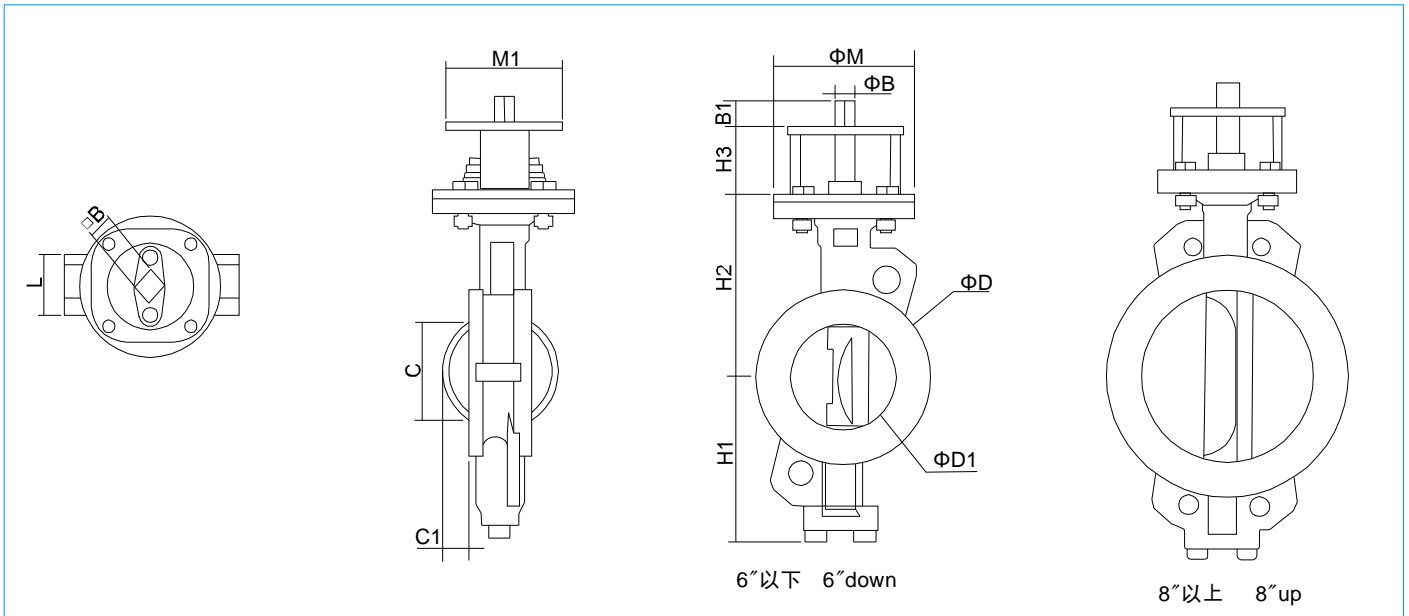
Including a 30% safety factor

确定执行机构时，请勿将安全系数应用于以上扭矩值

Do not apply a safety factor to above torque value when determining actuator

Art.290系列高性能双偏芯蝶阀

Art.290 series high performance double eccentric butterfly valves



设计的特征 Design Features

1. 阀门拥有高性能的阀座和双偏芯设计
Valves are high performance with offset seat and double eccentric disc design.
2. 阀座设计为全压，双向，紧凑密封件。
Valves seats are designed for full pressure, bi-directional sealing.
3. 阀门贯穿于上下滑动轴承。
Valve is equipped with upper and lower low friction bearings.
4. 一片轴设计为防爆出装置，安装有防静电装置。
One-Piece shaft design equipped with Blow-Out Proof and Anti-Static devices
5. 专利的阀座止动器动作不需要螺栓，也能不间断的与密封表面接触
Patented Seat Retainer Ring fixed without bolts and offering complete uninterrupted sealface
6. 一体式阀体可防止阀板脱轨
Valve has integral body stop to prevent over travel.

材质 Material

1. 不锈钢阀门材质
Stainless steel valves shall be constructed from materials below:
阀体-ASTM A351 CF8或CF8M Body-ASTM A351 CF8 or CF8M
阀板-ASTM A351 CF8或CF8M Disc-ASTM A351 CF8 or CF8M
2. 碳钢阀门材质
Carbon steel valves shall be constructed from materials below:
阀体-ASTM A105或A216 WCB Body-ASTM A105 or A216 WCB
阀板-ASTM A351 CF8或CF8M Disc -ASTM A351 CF8 or CF8M
3. 阀杆材质
Stem smterial shall be one of the following:
ASTM A564 型号: 630 (17-4PH) ASTM A564 Type: 630 (17-4PH)
A182 F304或F316 A182 F304 or F316

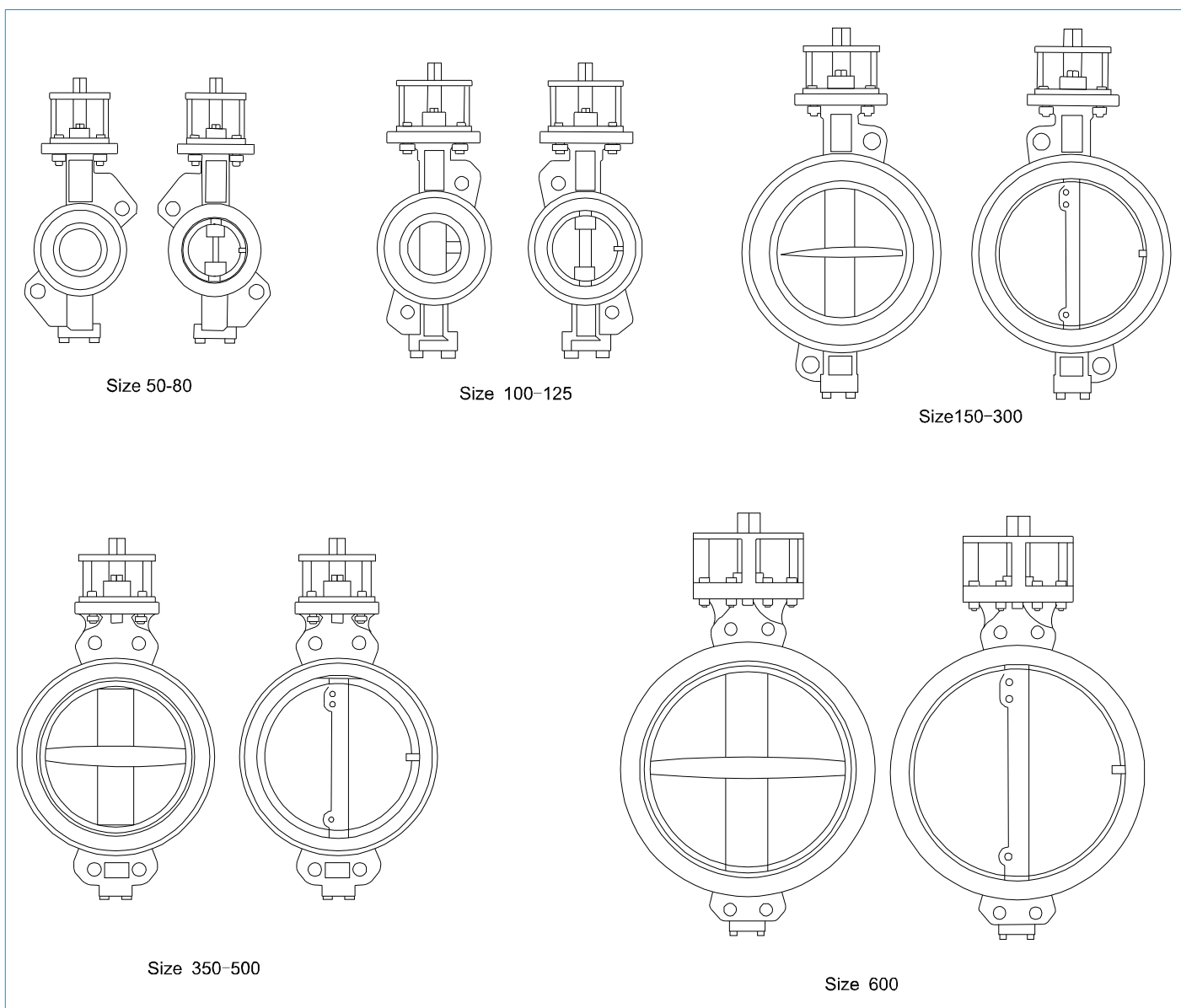
单位: mm

规格 Size	蝶阀厚度 Face to Face	尺寸 Dimensions							安装法兰 (ISO5211) Mounting flange(ISO 5211)				轴端 Shat end			法兰压力可选 Suitable pipe flange	重量 Weight	
		H1	H2	H3	ΦD	ΦD1	C	C1	阀门		阀轭 (YOKE)		ΦB	□B	B1			
mm	L							孔径	ΦM	孔径	ΦM1							*
65	46	110	125	60	108	63	62	15	F07	90	F07	F05	70	14	11	18	ABCDEFGHIJKMNP	4.5
80	47	128	140	70	126	78	78	22	F10	125	F10	F07	102	16	14	23	ABCDEFGHIJKMNP	7
100	53	150	157	70	153	95	93	25	F10	125	F10	F07	102	18	14	23	ABCDEFGHIJKMNP	9
125	57	163	170	70	184	116	120	36	F10	125	F10	F07	102	22	17	23	ABCDEFGHIJKMNP	12
150	56	176	185	70	212	143	149	50	F10	125	F10	F07	102	22	17	23	ACDEFKMNPN	13.5
200	62	206	220	80	268	180	196	70	F12	150	F12	F10	125	25	19	28	ACDEFKMNPN	22
250	68	238	260	80	326	236	243	90	F12	150	F12	F10	125	28	22	28	ACDEFKMNPN	32
300	78	269	290	100	375	282	289	106	F14	175	F14	F12	160	35	27	37	ACDEFKMNPN	46
350	78/92	306	326	100	416	322	329	125	F14	175	F14	F12	160	36	27	37	ACDEFKMNPN	66
400	102	342	370	120	478	371	377	140	F16	210	F16	F14	195	48	36	47	ACDEFKMNPN	107
450	114	370	395	120	534	418	423	157	F16	210	F16	F14	195	48	36	47	ACDEFKMNPN	130
500	127	399	430	120	588	466	471	177	F16	210	F16	F14	195	60	46	56	ACDEFKMNPN	163
600	154	455	490	150	692	570	572	210	F25	300	F25	F16	300	60	46	56	ACDEFKMNPN	278

A:150LB, B:300LB, C:PN10, D:PN16, E:PN20, F:PN25, G:PN40, H:PN50, K:10K, M:16K,
N:BS.10 table E, P:20K

Art.290系列高性能双偏芯蝶阀

Art.290 series high performance double eccentric butterfly valves



Art. 290系列高性能蝶阀选型表

Art. 290 series product ordering matrix

2	9	0	D	G	E	050	W	-	HHBY
系列号 series	阀板材质 disc materials 0-304 1-316		驱动形式 operator H-手动手柄 manual handle D-气动双动 double acting S-气动单动 spring return E-电动开关型 on/off M-电动调节型 modulating 3D-三位式双动 three-position double acting 3S-三位式单动 three-position single acting	阀体材质 body material A-CF8M B-CF8 C-WCB	阀座材质 seat material P-PTFE	口径 size 050-DN50 065-DN65 080-DN80 100-DN100 125-DN125	连接形式 connection W-对夹式 WAFER type L-吊耳式 Lug type F-法兰式 Flange type		特别代码 special code

备注：如有其他要求请详询。
Notes: If you have other requirements on request, please contact with us.

Art.290系列高性能双偏芯蝶阀

Art.290 series high performance double eccentric butterfly valves



阀体/Body: 不锈钢304/SS304、CF8、1.4308 (可选/Optional: 不锈钢316/SS316、CF8M、1.4408; 碳钢/Carbon steel、WCB、1.0619)

阀座/Seat: PTFE (可选/Optional: PTFE+15%GLASS、PTFE+15%GRAPHITE)

阀板/Disc: 不锈钢304/CF8 (可选/Optional: 不锈钢316/CF8M)

连接/Connection: WAFER TYPE (可选/Optional: Lug type、Flange type)

配 **ADESUN** 气动执行器/with **ADESUN** pneumatic actuator

Art: 290DBP***w - ****

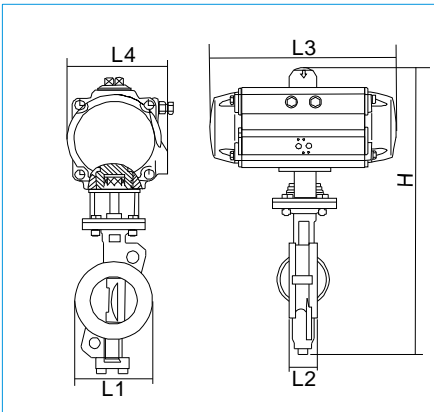
口径

特别代码

双动/Double acting

型号 CODE	290DBP050 W-CDNY	290DBP065 W-CENY	290DBP080 W-CENY	290DBP100 W-CGNY	290DBP125 W-CENY	290DBP150 W-CHNY	290DBP200 W-CJNY	290DBP250 W-CKNY	290DBP300 W-CLNY	290DBP350 W-CMNY	290DBP400 W-CMNY
DN	50	65	80	100	125	150	200	250	300	350	400
PN	16	16	16	16	16	16	16	16	16	16	16
ACT	ACD063	ACD075	ACD075	ACD090	ACD090	ACD100	ACD115	ACD145	ACD160	ACD190	ACD210
H(mm)	382	417.5	440.5	512	538	578.8	656	784	885	993	1115.5
L1(mm)	92	108	126	153	184	212	268	326	375	416	476
L2(mm)	43	46	47	53	57	56	62	68	78	78/92	102
L3(mm)	168	219	219	249	249	274	315	417	452	540	585
L4(mm)	83	96	96	106	106	122	132.5	169.5	185	215	235.5
参考重量 (KG)	5.1	7.3	9.8	13	16	17.4	30.4	47.5	68.2	99	142.5
¥											

更大口径另询
More size on request



Art: 290SBP***w - ****

口径

特别代码

单动/Single acting

型号 CODE	290SBP050 W-CENY	290SBP065 W-CGNY	290SBP080 W-CHNY	290SBP100 W-CJNY	290SBP125 W-CJNY	290SBP150 W-CJNY	290SBP200 W-CKNY	290SBP250 W-CMNY	290SBP300 W-CMNY	290SBP350 W-CMNY	290SBP400 W-CMNY
DN	50	65	80	100	125	150	200	250	300	350	400
PN	16	16	16	16	16	16	16	16	16	16	16
ACT	ACS075	ACS090	ACS100	ACS115	ACS115	ACS125	ACS145	ACS190	ACS210	ACS240	ACS240
H(mm)	399.5	430	485.5	547	573	617.5	712	839	942.5	1063	1163
L1(mm)	92	108	126	153	184	212	268	326	375	416	476
L2(mm)	43	46	47	53	57	56	62	68	78	78/92	102
L3(mm)	219	249	274	315	315	355	417	540	585	685	685
L4(mm)	95.5	105.5	122	132.5	132.5	150	169.5	215	235.5	261	261
参考重量 (KG)	7.2	9.2	13.5	18.8	21.8	26.9	41.1	71.6	93.1	138.5	179.5
¥											

更大口径另询
More size on request

阀体/Body: 不锈钢304/SS304、CF8、1.4308 (可选/Optional: 不锈钢316/SS316、CF8M、1.4408; 碳钢/Carbon steel、WCB、1.0619)

阀座/Seat: PTFE (可选/Optional: PTFE+15%GLASS、PTFE+15%GRAPHITE)

连接/Connection: WAFER TYPE (可选/Optional: Lug type、Flange type)

配 **VALBIA** 气动执行器/with **VALBIA** pneumatic actuator

Art: 290DBP***w - ****

口径

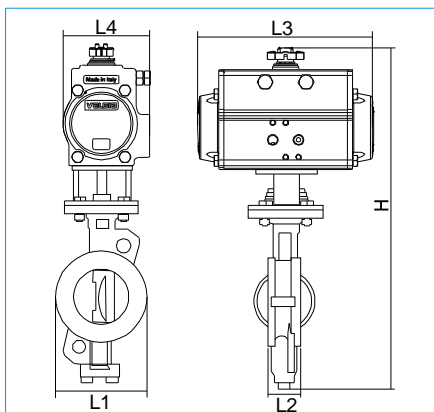
特别代码

双动/Double acting



型号 CODE	290DBP050 W-VDNY	290DBP065 W-VDNY	290DBP080 W-VFNY	290DBP100 W-VFNY	290DBP125 W-VHNY	290DBP150 W-VHNY	290DBP200 W-VJNY	290DBP250 W-VKNY	290DBP300 W-VLNY	290DBP350 W-VNNY	290DBP400 W-VONY
DN	50	65	80	100	125	150	200	250	300	350	400
PN	16	16	16	16	16	16	16	16	16	16	16
ACT	DA63	DA75	DA85	DA85	DA100	DA100	DA115	DA140	DA160	DA200	DA230
H(mm)	390	426	483	522	560.8	588.8	698.4	805	910	1040	1187
L1(mm)	92	108	126	153	184	212	268	326	375	416	476
L2(mm)	43	46	47	53	57	56	62	68	78	78/92	102
L3(mm)	164	210	240.5	275	275	275	315	435	500	578.5	690
L4(mm)	80.5	94.5	106	106	123	123	137	164	186	217	248.5
参考重量 (KG)	5.56	7.28	10.9	12.9	17.5	19	30.85	48.3	69.75	103	165.5
¥											

更大口径另询
More size on request



Art: 290SBP***w - ****

口径

特别代码

单动/Single acting

型号 CODE	290SBP050 W-VENY	290SBP065 W-VFNY	290SBP080 W-VHNY	290SBP100 W-VHNY	290SBP125 W-VJNY	290SBP150 W-VJNY	290SBP200 W-VKNY	290SBP250 W-VMNY	290SBP300 W-VNNY	290SBP350 W-VPNY	290SBP400 W-VPNY
DN	50	65	80	100	125	150	200	250	300	350	400
PN	16	16	16	16	16	16	16	16	16	16	16
ACT	SR75	SR85	SR100	SR100	SR115	SR125	SR140	SR180	SR200	SR270	SR270
H(mm)	408	440	495.8	534.8	595.4	635.4	713	861	967	1161	1261
L1(mm)	92	108	126	153	184	212	268	326	375	416	476
L2(mm)	43	46	47	53	57	56	62	68	78	78/92	102
L3(mm)	210	240.5	275	275	333	372	435	493	578.5	672	672
L4(mm)	94.5	106	123	123	137	148	164	213	217	290	290
参考重量 (KG)	7.29	9.3	14	16	13.45	27.58	43.8	71.9	103	166.27	207.27
¥											

更大口径另询
More size on request

备注: 气动执行器最低气压5.5bar

Notes: Actuator air supply pressure minimum 5.5 bar

Art.290系列高性能双偏芯蝶阀

Art.290 series high performance double eccentric butterfly valves



阀体/Body: 不锈钢304/SS304、CF8 1.4308 (可选/Optional: 不锈钢316/SS316、CF8M 1.4408 碳钢/Carbon steel、WCB、10619)

阀座/Seat: PTFE (可选/Optional: PTFE+15%GLASS、PTFE+15%GRAPHITE)

阀板/Disc: 不锈钢304/CF8 (可选/Optional: 不锈钢316/CF8M)

连接/Connection: 对夹式/WAFER type (可选/Optional: 支耳式/Lug type/Flange type)

电压/Voltage: 220VAC、24VDC (可选/Optional: 110VAC)

Art: 290EBP***W - ****

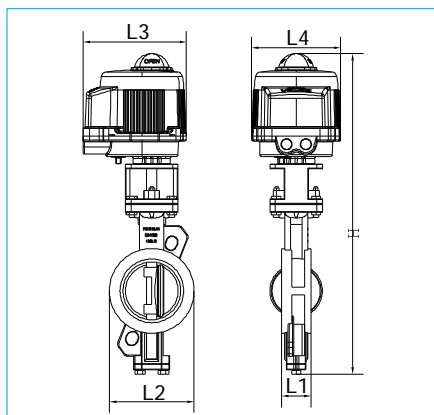
口径

特别代码

开关型/On-off-model

型号 CODE	290EBP050 W-***	290EBP065 W-***	290EBP080 W-***	290EBP100 W-***	290EBP125 W-***	290EBP150 W-***	290EBP200 W-***	290EBP250 W-***	290EBP300 W-***	290EBP350 W-***	290EBP400 W-***
DN	50	65	80	100	125	150	200	250	300	350	400
PN	16/150lb	16/150lb	16/150lb	16/150lb	16/150lb	16/150lb	16/150lb	16/150lb	16/150lb	16/150lb	16/150lb
ACT	VB030	VB030	VB030	VB030	VB030	VB060	VB060	VB060	VB110	VB190	VB190
H (mm)	476	494	537	576	599	651	726	798	905	978	1078
L1 (mm)	92	108	126	153	184	212	268	326	375	416	476
L2 (mm)	43	46	47	53	57	56	62	68	78	78/92	102
L3 (mm)	187	187	187	187	187	197	197	197	270	270	270
L4 (mm)	161	161	161	161	161	176	176	176	266	266	266
重量(KG)	7.5	8.0	11	13	16	20	27	37	58	76	117
12VAC/DC 开关型 / On Off model 12VAC/DC											
型号 CODE	290EBP050 W-86L10003	290EBP065 W-86L10003	290EBP080 W-86L10003	290EBP100 W-86L10003	290EBP125 W-86L10003	290EBP150 W-86L10006	290EBP200 W-86L10006	290EBP250 W-86L10006	290EBP300 W-86L10011	290EBP350 W-86L10019	290EBP400 W-86L10019
¥											
24VAC/DC 开关型 / On Off model 24VAC/DC											
型号 CODE	290EBP050 W-86L0003	290EBP065 W-86L0003	290EBP080 W-86L0003	290EBP100 W-86L0003	290EBP125 W-86L0003	290EBP150 W-86L0006	290EBP200 W-86L0006	290EBP250 W-86L0006	290EBP300 W-86L0011	290EBP350 W-86L0019	290EBP400 W-86L0019
¥											
12VAC/DC 开关型 / On Off model 12VAC/DC											
型号 CODE	290EBP050 W-86H0003	290EBP065 W-86H0003	290EBP080 W-86H0003	290EBP100 W-86H0003	290EBP125 W-86H0003	290EBP150 W-86H0006	290EBP200 W-86H0006	290EBP250 W-86H0006	290EBP300 W-86H0011	290EBP350 W-86H0019	290EBP400 W-86H0019
¥											

更大口径另询
More size on request



阀体/Body: 不锈钢304/SS304、CF8 1.4308 (可选/Optional: 不锈钢316/SS316、CF8M 1.4408 碳钢/Carbon steel、WCB、10619)

阀座/Seat: PTFE (可选/Optional: PTFE+15%GLASS、PTFE+15%GRAPHITE)

阀板/Disc: 不锈钢304/CF8 (可选/Optional: 不锈钢316/CF8M)

连接/Connection: 对夹式/WAFER type (可选/Optional: 支耳式/Lug type/Flange type)

电压/Voltage: 220VAC (可选/Optional: 110VAC)

带4-20mA输入/输出信号/with 4-20mA input/output signal

(可选/Optional: 1-5VDC输入信号/1-5VDC input signal)

Art: 290MBP***W - ****

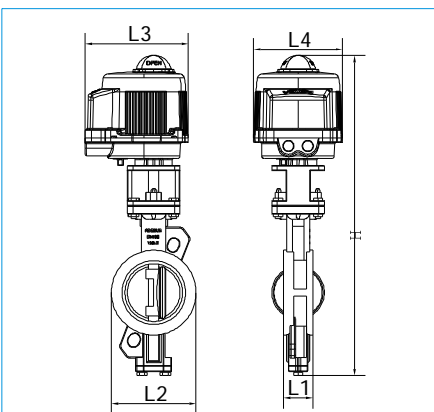
口径

特别代码

调节型/Modulating model

型号 CODE	290MBP050 W-***	290MBP065 W-***	290MBP080 W-***	290MBP100 W-***	290MBP125 W-***	290MBP150 W-***	290MBP200 W-***	290MBP250 W-***	290MBP300 W-***	290MBP350 W-***	290MBP400 W-***
DN	50	65	80	100	125	150	200	250	300	350	400
PN	16/150lb	16/150lb	16/150lb	16/150lb	16/150lb	16/150lb	16/150lb	16/150lb	16/150lb	16/150lb	16/150lb
ACT	VB030	VB030	VB030	VB030	VB030	VB060	VB060	VB060	VB110	VB190	VB190
H (mm)	476	494	537	576	599	651	726	798	905	978	1078
L1 (mm)	92	108	126	153	184	212	268	326	375	416	476
L2 (mm)	43	46	47	53	57	56	62	68	78	78/92	102
L3 (mm)	187	187	187	187	187	197	197	197	270	270	270
L4 (mm)	161	161	161	161	161	176	176	176	266	266	266
重量(KG)	7.5	8.0	11	13	16	20	27	37	58	76	117
12VAC/DC 开关型 / On Off model 12VAC/DC											
型号 CODE	290MBP050 W-86L10603	290MBP065 W-86L10603	290MBP080 W-86L10603	290MBP100 W-86L10603	290MBP125 W-86L10603	290MBP150 W-86L10606	290MBP200 W-86L10606	290MBP250 W-86L10606	290MBP300 W-86L10611	290MBP350 W-86L10619	290MBP400 W-86L10619
¥											
24VAC/DC 开关型 / On Off model 24VAC/DC											
型号 CODE	290MBP050 W-86L0603	290MBP065 W-86L0603	290MBP080 W-86L0603	290MBP100 W-86L0603	290MBP125 W-86L0603	290MBP150 W-86L0606	290MBP200 W-86L0606	290MBP250 W-86L0606	290MBP300 W-86L0611	290MBP350 W-86L0619	290MBP400 W-86L0619
¥											
12VAC/DC 开关型 / On Off model 12VAC/DC											
型号 CODE	290MBP050 W-86H0603	290MBP065 W-86H0603	290MBP080 W-86H0603	290MBP100 W-86H0603	290MBP125 W-86H0603	290MBP150 W-86H0606	290MBP200 W-86H0606	290MBP250 W-86H0606	290MBP300 W-86H0611	290MBP350 W-86H0619	290MBP400 W-86H0619
¥											

更大口径另询
More size on request



Art.290系列高性能双偏芯蝶阀

Art.290 series high performance double eccentric butterfly valves



阀体/Body: 不锈钢304/SS304、CF8 1.4308 (可选/Optional: 不锈钢316/SS316、CF8M 1.4408 碳钢/Carbon steel、WCB、10619)

阀座/Seat: PTFE (可选/Optional: PTFE+15%GLASS、PTFE+15%GRAPHITE)

阀板/Disc: 不锈钢304/CF8 (可选/Optional: 不锈钢316/CF8M)

连接/Connection: 对夹式/WAFER type (可选/Optional: 支耳式/Lug type/Flange type)

电压/Voltage: 380VAC、220VAC、24VDC (可选/Optional: 110VAC)

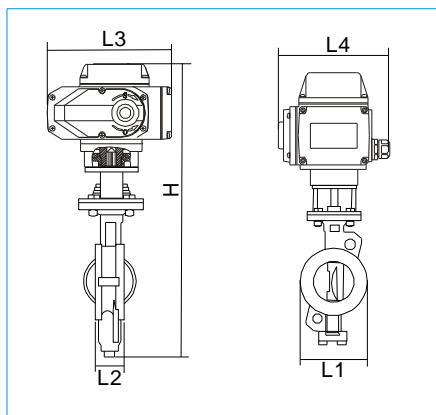
Art: 290EBP***W - ***

口径 特别代码

开关型/On-off-model

型号 CODE	290EBP050 W-HBAY	290EBP065 W-HBAY	290EBP080 W-HCAY	290EBP100 W-HCAY	290EBP125 W-HDAY	290EBP150 W-HDAY	290EBP200 W-HEAY	290EBP250 W-HEAY	290EBP300 W-HGAY	290EBP350 W-HHAY	290EBP400 W-HHAY
DN	50	65	80	100	125	150	200	250	300	350	400
PN	16	16	16	16	16	16	16	16	16	16	16
ACT	AEA-05	AEA-05	AEA-10	AEA-10	AEA-20	AEA-20	AEA-40	AEA-40	AEA-100	AEA-160	AEA-160
H (mm)	409.5	427.5	496	535	599	627	702	774	855	967	1067
L1 (mm)	92	108	126	153	184	212	268	326	375	416	476
L2 (mm)	43	46	47	53	57	56	62	68	78	78/92	102
L3 (mm)	160	160	196	196	255	255	255	255	255	310	310
L4 (mm)	137	137	145	145	182	182	182	182	182	241	241
重量(KG)	5.9	6.5	10	12	20	21.5	30.5	40.5	65	84	125
有源触点/Active contact											
¥											
无源触点/Dry contact											
型号 CODE	290EBP050 W-HBBY	290EBP065 W-HBBY	290EBP080 W-HCBBY	290EBP100 W-HCBBY	290EBP125 W-HDBY	290EBP150 W-HDBY	290EBP200 W-HEBY	290EBP250 W-HEBY	290EBP300 W-HGBY	290EBP350 W-HHBY	290EBP400 W-HHBY
¥											
24VDC											
型号 CODE	290EBP050 W-HBGY	290EBP065 W-HBGY	290EBP080 W-HCGY	290EBP100 W-HCGY	290EBP125 W-HDGY	290EBP150 W-HDGY	290EBP200 W-HEGY	290EBP250 W-HEGY	290EBP300 W-HGGY	290EBP350 W-HHGY	290EBP400 W-HHGY
¥											
380VAC											
型号 CODE	290EBP050 W-HBHY	290EBP065 W-HBHY	290EBP080 W-HCHY	290EBP100 W-HCHY	290EBP125 W-HDHY	290EBP150 W-HDHY	290EBP200 W-HEHY	290EBP250 W-HEHY	290EBP300 W-HFHY	290EBP350 W-HHHY	290EBP400 W-HHHY
¥											

更大口径另询
More size on request



阀体/Body: 不锈钢304/SS304、CF8 1.4308 (可选/Optional: 不锈钢316/SS316、CF8M 1.4408 碳钢/Carbon steel、WCB、10619)

阀座/Seat: PTFE (可选/Optional: PTFE+15%GLASS、PTFE+15%GRAPHITE)

阀板/Disc: 不锈钢304/CF8 (可选/Optional: 不锈钢316/CF8M)

连接/Connection: 对夹式/WAFER type (可选/Optional: 支耳式/Lug type/Flange type)

电压/Voltage: 220VAC (可选/Optional: 110VAC)

带4-20mA输入/输出信号/with 4-20mA input/output signal

(可选/Optional: 1-5VDC输入信号/1-5VDC input signal)

Art: 290MBP***W - ****

口径 特别代码

调节型/Modulating model

型号 CODE	290MBP050 W-HBEY	290MBP065 W-HBEY	290MBP080 W-HCEY	290MBP100 W-HCEY	290MBP125 W-HDEY	290MBP150 W-HDEY	290MBP200 W-HEEY	290MBP250 W-HEEY	290MBP300 W-HFEY	290MBP350 W-HHEY	290MBP400 W-HHEY
DN	50	65	80	100	125	150	200	250	300	350	400
PN	16/150lb	16/150lb	16/150lb	16/150lb	16/150lb						
ACT	AEA-05E	AEA-05E	AEA-05E	AEA-10E	AEA-10E	AEA-20E	AEA-40E	AEA-40E	AEA-60E	AEA-100E	AEA-160E
H (mm)	409.5	427.5	496	535	599	627	702	774	855	967	1067
L1 (mm)	92	108	126	153	184	212	268	326	375	416	476
L2 (mm)	43	46	47	53	57	56	62	68	78	78/92	102
L3 (mm)	160	160	196	196	255	255	255	255	255	310	310
L4 (mm)	137	137	145	145	182	182	182	182	182	241	241
重量(KG)	5.9	6.5	10	12	20	21.5	30.5	40.5	65	84	125
¥											

更大口径另询
More size on request

