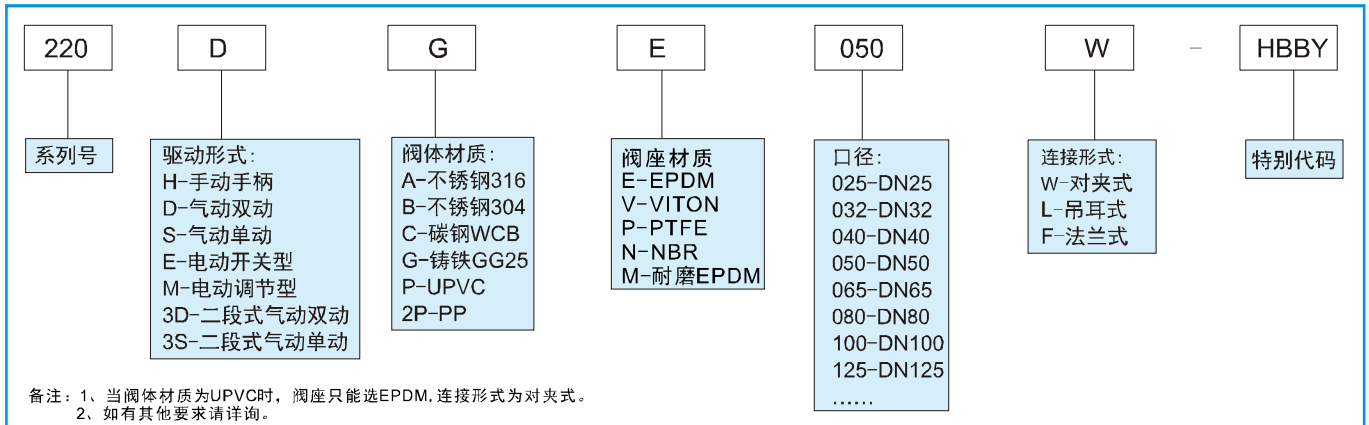


Art. 220系列蝶阀选型表



Art. 220 series butterfly valves ordering NO.



参数 Parameter

设计标准 Design Standard

阀体设计符合ISO 5752标准。

Valve body is designed to meet ISO 5752.

上法兰标准 Upper Flange Standard

24寸及以下, 阀门安装法兰和阀杆符合ISO5211

24" and below, valve mounting flange and stem shall be ISO5211

28寸及以上, 阀门安装法兰符合ISO5211,其阀杆应为圆键连接。

28" and above, valve mounting flange shall be per ISO5211, stem shall be round keyed.

法兰标准 Flange Standard:

LB200:GB9113.1、ANSI 150、B16.5、JIS B2211

所有连接器(对夹式)都有定位孔便于安装。

All wafers have locating holes for ease of installation

压力等级 Pressure Rating

完全关闭时可承受压力:

Bi-directional bubble-tight shut off to : 16bar(230psi)---DN40-DN600mm

10bar(150psi)---DN650-DN1000mm

测试最大额定值的110%时可承受压力:

And tested to 110% of full rating : 18bar(260psi)---DN40-DN600mm

11bar(160psi)---DN650-DN1000mm壳体测试 Shell Testing

阀体能承受最大额定值的150% :

The body strength can stand 150% of full rating : 24bar(340psi)---DN40-DN600mm

15bar(220psi)---DN650-DN1000mm

安装说明 Installation Instruction:

该阀门适用于所有平面或凸面法兰的连接, 无需使用法兰垫片。安装时, 法兰之间应有足够的间隙以便阀门插入, 且密封不受影响。转动阀杆调整好蝶板在阀体中的位置, 将阀门放置于法兰间, 并手动拧紧螺栓。逆时针方向缓慢开启阀门, 检查蝶板净距是否足够。将蝶板重新旋转至10%的开度位置, 再拧紧所有螺栓, 检查蝶板净距是否足够。

The valve is designed for using between all types of flat or raised face flange. Do not use flange gaskets. For proper installation, the space between flanges must be sufficient to permit valve insertion without disturbing the rubber liner flange seal. Rotate the stem to position the disc within the body, place the valve between flanges and hand-tighten the bolts. Slowly open the valve counter clockwise to check for adequate disc clearance. Rotate the disc to 10% open position and cross tighten all bolts again check for adequate disc clearance.

阀杆限位装置 Stem Retaining Mechanism

阀门尺寸在DN350mm以下时, 阀杆通过特殊的Q式设计限位于阀体中, 因此可以不用任何特殊工具就可将阀杆从阀体和阀板中拆除。仅在拆除时, 才可将阀板放置135°左右。

The stem is retained the body through a special Q type design when the size is under DN350mm, so the stem can be removed from the body and disc without any special tools. Only when being disassembled, the valve disc can be positioned around 135°.

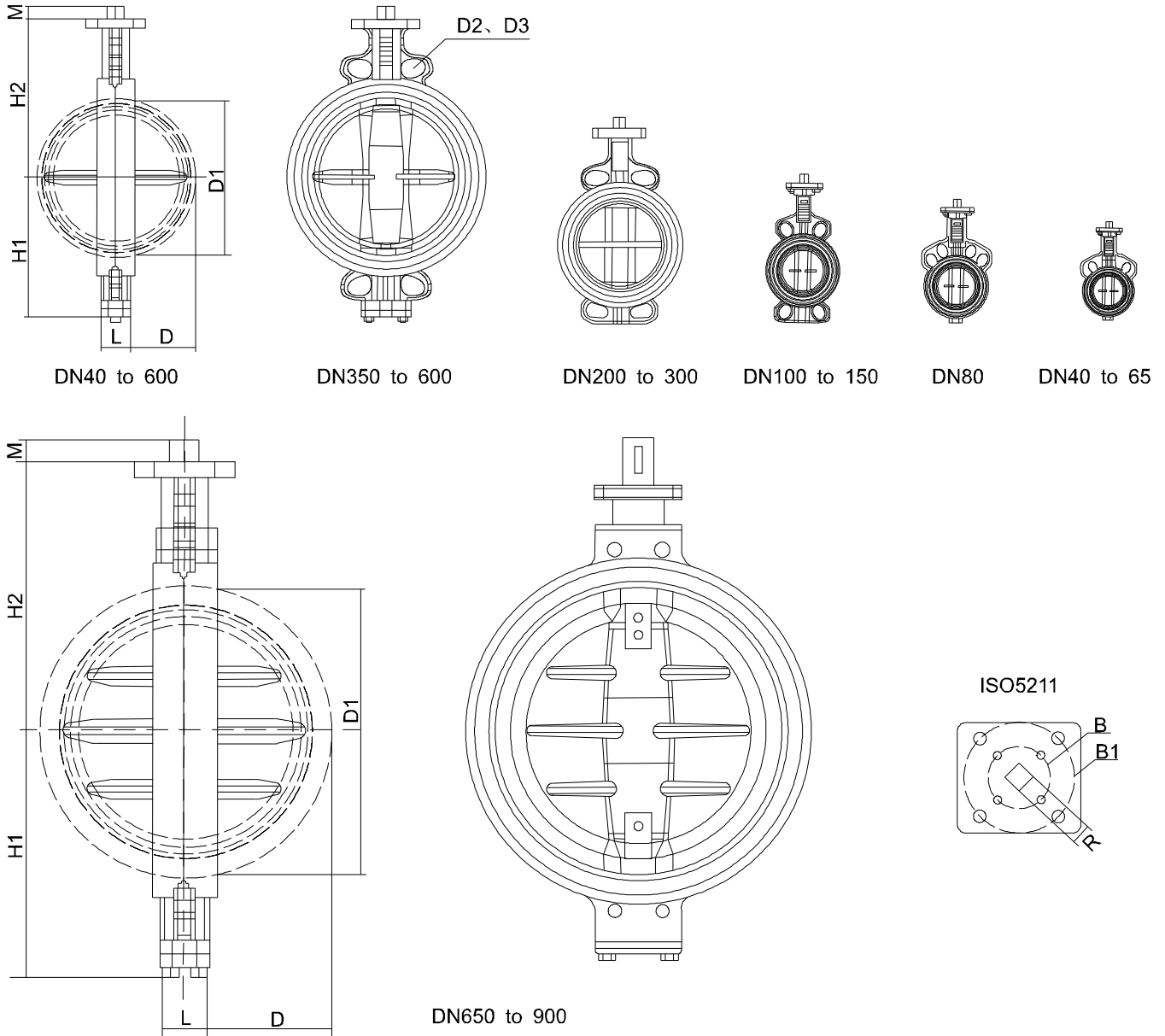
其它 Others

根据客户要求定制 According to customer requirements.

Art. 220系列对夹式尺寸



Art. 220 series WAFER type size



PN10/PN16/ANSI 150LB

Unit : mm

SIZE	L	D	D1	D2	D3	H1	H2	M	R	B	B1	ISO5211	
DN40	1-1/2"	33	7	34	110	98.4	60	120	12.5	11	50	70	F05-F07
DN50	2"	43	8	39	125	120.7	65	143	12.5	11	50	70	F05-F07
DN65	2-1/2"	46	13	55	145	139.7	71	155	15	11	50	70	F05-F07
DN80	3"	46	19	69	160	152.4	77	162	15	11	50	70	F05-F07
DN100	4"	52	27	91	180	190.5	107	181	16	11	-	70	F07
DN125	5"	56	36	115	210	215.9	122	197	19	14	-	70	F07
DN150	6"	56	47	140	240	241.3	150	210	19	14	-	70	F07
DN200	8"	60	68	186	295	298.5	165	240	22	17	-	102	F10
DN250	10"	68	90	239	355	362	201	286	22	19	-	102	F10
DN300	12"	78	111	288	410	431.8	234	309	24	22	-	102	F10
DN350	14"	78	128	325	470	476.3	301	329	29	27	-	125	F12
DN400	16"	102	143	375	525	539.8	333	361	29	27	-	125	F12
DN450	18"	114	162	423	585	577.9	358	393	38	36	-	140	F14
DN500	20"	127	182	473	650	635	392	427	38	36	-	140	F14
DN600	24"	154	214	560	770	749.3	454	492	48	46	-	165	F16
DN700	28"	165	255	655	840	863.6	508	563	110	-	-	165	F16
DN800	32"	190	285	736	950	977.9	592	630	110	-	-	254	F25
DN900	36"	203	331	841	1050	1085.9	632	660	110	-	-	254	F25

备注 D2按照GB9113.1制定 D2 is designed to meet GB9113.1

Note D3按照ANSI 150LB B16.5制定 D3 is designed to meet ANSI 150LB B16.5

阀体/Body: 铸铁/Cast iron GG25 (可选/Optional: 碳钢/WCB、10619)

阀座/Seat: 乙丙橡胶/EPDM (可选/Optional: 丁晴橡胶/NBR)

阀板/Disc: 不锈钢304/CF8 (可选/Optional: 不锈钢316/CF8M、铸铁镀镍板/Cast iron GG25 nickle plated)

连接/Connection: 对夹式/WAFER type (可选/Optional: 支耳式/Lug type)

电压/Voltage: 380VAC、220VAC、24VDC (可选/Optional: 110VAC)

Art: 220EGE***W - ***

口径

特别代码

开关型/On-off-model

型号 CODE	220EGE050 W-HBAY	220EGE065 W-HBAY	220EGE080 W-HBAY	220EGE100 W-HCAY	220EGE125 W-HCAY	220EGE150 W-HDAY	220EGE200 W-HEAY	220EGE250 W-HFAY	220EGE300 W-HFAY	220EGE350 W-HGAY	220EGE400 W-HHAY
DN	50	65	80	100	125	150	200	250	300	350	400
PN	16	16	16	16	16	16	16	16	16	16	16
ACT	AEA-05	AEA-05	AEA-05	AEA-10	AEA-10	AEA-20	AEA-40	AEA-60	AEA-60	AEA-100	AEA-160
H (mm)	333	352	377	432	468	538	606	680	745	845	909
L1 (mm)	92	106	122	150	177	204	260	314	370	422	473
L2 (mm)	42	45	45	52	55	56	61	66	77	77	102
L3 (mm)	160	160	160	196	196	255	255	255	255	310	310
L4 (mm)	137	137	137	145	145	182	182	182	182	241	241
重量(KG)	4.3	4.5	5	8	10	17	21	29	48	57	76

有源触点 / Active contact

¥											
---	--	--	--	--	--	--	--	--	--	--	--

无源触点 / Dry contact

型号 CODE	220EGE050 W-HBBY	220EGE065 W-HBBY	220EGE080 W-HBBY	220EGE100 W-HCBY	220EGE125 W-HCBY	220EGE150 W-HDBY	220EGE200 W-HEBY	220EGE250 W-HFBY	220EGE300 W-HFBY	220EGE350 W-HGBY	220EGE400 W-HHBY
¥											

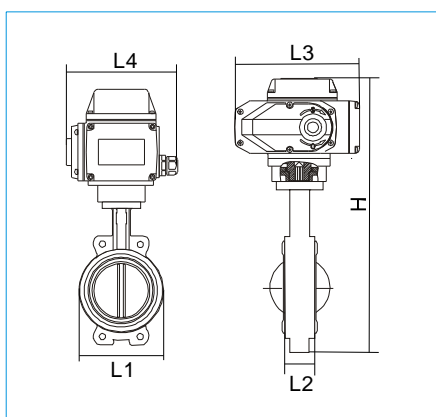
24VDC

型号 CODE	220EGE050 W-HBGY	220EGE065 W-HBGY	220EGE080 W-HBGY	220EGE100 W-HCGY	220EGE125 W-HCGY	220EGE150 W-HDGY	220EGE200 W-HEGY	220EGE250 W-HFGY	220EGE300 W-HFGY	220EGE350 W-HGGY	220EGE400 W-HHGY
¥											

380VAC

型号 CODE	220EGE050 W-HBHY	220EGE065 W-HBHY	220EGE080 W-HBHY	220EGE100 W-HCHY	220EGE125 W-HCHY	220EGE150 W-HDHY	220EGE200 W-HEHY	220EGE250 W-HFHY	220EGE300 W-HFHY	220EGE350 W-HGHY	220EGE400 W-HHHY
¥											

更大口径另询
More size on request



阀体/Body: 铸铁/Cast iron GG25 (可选/Optional: 碳钢/WCB、10619)

阀座/Seat: 乙丙橡胶/EPDM (可选/Optional: 丁晴橡胶/NBR)

阀板/Disc: 不锈钢304/CF8 (可选/Optional: 不锈钢316/CF8M、铸铁镀镍板/Cast iron GG25 nickle plated)

连接/Connection: 对夹式/WAFER type (可选/Optional: 支耳式/Lug type)

电压/Voltage: 220VAC (可选/Optional: 110VAC)

带4-20mA输入/输出信号/with 4-20mA input/output signal

(可选/Optional: 1-5VDC输入信号/1-5VDC input signal)

Art: 220MGE***W - ***

口径

特别代码

调节型/Modulating model

型号 CODE	220MGE050 W-HBEY	220MGE065 W-HBEY	220MGE080 W-HBEY	220MGE100 W-HCEY	220MGE125 W-HCEY	220MGE150 W-HDEY	220MGE200 W-HEEY	220MGE250 W-HFEY	220MGE300 W-HFEY	220MGE350 W-HGEY	220MGE400 W-HHEY
DN	50	65	80	100	125	150	200	250	300	350	400
PN	16	16	16	16	16	16	16	16	16	16	16
ACT	AEA-05E	AEA-05E	AEA-05E	AEA-10E	AEA-10E	AEA-20E	AEA-40E	AEA-60E	AEA-60E	AEA-100E	AEA-160E
H (mm)	333	352	377	432	468	538	606	680	745	845	909
L1 (mm)	92	106	122	150	177	204	260	314	370	422	473
L2 (mm)	42	45	45	52	55	56	61	66	77	77	102
L3 (mm)	160	160	160	196	196	255	255	255	255	310	310
L4 (mm)	137	137	137	145	145	182	182	182	182	241	241
重量(KG)	4.3	4.5	5	8	10	17	21	29	48	57	76
¥											

更大口径另询
More size on request

