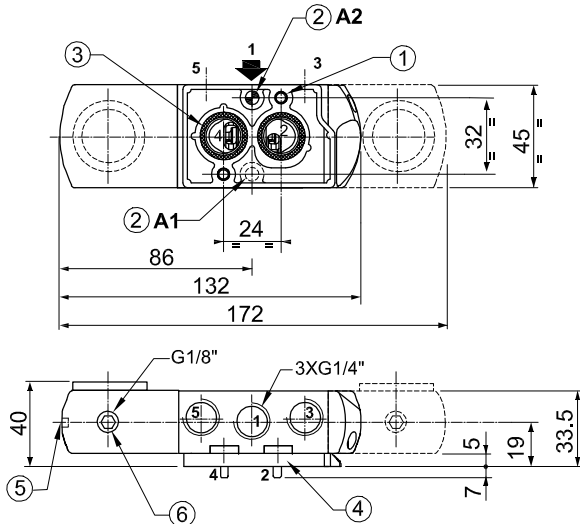


DIMENSIONS (mm)

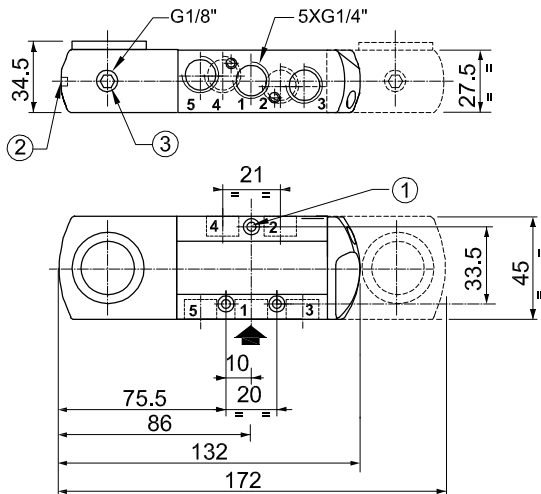
Series 531 Namur 3/2 - 5/2 Way



2 mounting holes:

- ① 5.3 mm dia. (Spotfacing: 9 mm dia., depth 5 mm)
- ② One 5 mm dia. hole for dowel pin:
 - in position A1: 3/2 NC function plate
 - in position A2: 5/2 function plate
- ③ 2 O-ring seals (supplied)
- ④ Interface plate
- ⑤ Manual operator location
- ⑥ External pilot air supply, 1/8 pipe size

Series 531 Threaded 5/2 Way



- ① 3 mounting holes: 4.2 mm dia.
- ② Manual operator location
- ③ External pilot air supply, 1/8 pipe size



OPERATOR

for potentially explosive atmospheres
 flameproof/encapsulation
 Ex d mb II CT3~T6 Gb
 Ex mbD 21 tD A21 IP66/67 T85 C~T200 C
 aluminium

Series
VCEF

FEATURES

- Explosion proof Junction Box Enclosure for the wiring of ASCO solenoids
- Intended for use in potentially explosive atmospheres, according to Directive Chinese Standard - GB
- NEPSI certificate (GYJ11.1695X) in compliance with GB3836.1, GB3836.2, GB3836.9, G B12476.1
- Electrostatic epoxy powder paint, stainless steel screws, and molded epoxy coils provide excellent protection in corrosive environment
- Factory pre-wired and assembled to any explosion proof ASCO RedHat II solenoid valve
- Easy electrical installation and installation cost reduction by means of a separate explosion proof splice box to terminate solenoid valves' wiring
- Enclosure comes with 12 combination choices of 4 different conduit directions and 3 sizes of conduit entries



CONSTRUCTION

Housing & Cover

Gasket

Coil

Ground Screws

Terminal Block

Epoxy painted die cast aluminium
 Silicon (VMQ)
 Epoxy molded
 Stainless Steel
 Ceramic

ELECTRICAL CHARACTERISTICS

Standard Voltages

SAFETY CODE

Ex d mb II CT3~T6 Gb,
 Ex mbD 21 tD A21 IP66/67 T85°C~T200°C

AC: 24, 120, 240, 480 volts, 60 Hz
 or (110, 220 volts, 50 Hz)

DC: 6, 12, 24, 120, 240 volts

(Valves with VCEF housing maintain wattage and current ratings as shown on individual catalog sheets.)

TEMPERATURE CLASSIFICATION

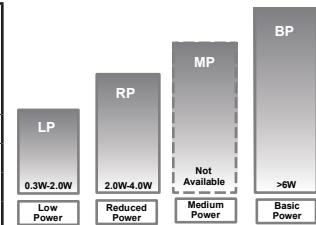
The minimum allowable ambient temperature is -40°C for the operator. Select the requested "T" classification from the temperature classification tables (AC or DC), respecting the maximum ambient temperature and cold (20°C) electrical holding power values.

AC (-) Solenoids

Power Level (watt)	Solenoid Size			Insulation Class	"T" Classification	Maximum Ambient Temp. (° C)
	M6	MX	M12			
Reduced Power (RP)						
3.5		•		F	T4/T135° C	60
Basic Power (BP)						
6.1	•			F	T4/T135° C	52
6.1	•			H	T4/T135° C	60
8.1	•			F	T4/T135° C	52
8.1	•			H	T4/T135° C	60
9.1	•			F	T3/T200° C	52
9.1	•			F	T4/T135° C	40
9.1	•			H	T3/T200° C	60
9.1	•			H	T4/T135° C	40
10.1		•		F	T4/T135° C	52
10.1		•		H	T4/T135° C	60
11.1	•			F	T3/T200° C	52
11.1	•			F	T4/T135° C	40
11.1	•			H	T3/T200° C	60
11.1	•			H	T4/T135° C	40
12.0 ⁽²⁾		•		F	T4/T135° C	55
15.1		•		F	T3/T200° C	40
15.1		•		F	T4/T135° C	55
16.1		•		F	T4/T135° C	52
16.1		•		H	T4/T135° C	55
17.1		•		F	T3/T200° C	40
17.1		•		H	T3/T200° C	40
20.1		•		F	T3/T200° C	22
20.1		•		H	T3/T200° C	22

DC (=) Solenoids

Power Level (watt)	Solenoid Size			Insulation Class	"T" Classification	Maximum Ambient Temp. (° C)
	M6	MX				
Low Power (LP)						
0.55		•		F	T6/T85° C	65
0.70		•		H	T5/T100° C	80
0.70		•		F	T6/T85° C	65
0.75		•		F	T6/T85° C	65
1.40		•		F	T6/T85° C	60
1.70		•		F	T6/T85° C	60
1.80		•		F	T5/T100° C	74
1.80		•		F	T6/T85° C	55
2.00		•		F	T5/T100° C	74
2.00		•		F	T6/T85° C	55
Basic Power (BP)						
10.60	•			F	T4/T135° C	55
10.60	•			H	T4/T135° C	55
11.60		•		F	T4/T135° C	55
11.60		•		H	T4/T135° C	55
12.60		•		F	T4/T135° C	35
18.60		•		F	T4/T135° C	30
18.60		•		H	T4/T135° C	30
20.60		•		H	T4/T135° C	30
22.60		•		F	T4/T135° C	35
22.60		•		H	T4/T135° C	35
24.60		•		H	T4/T135° C	35



POWER LEVELS
 electrical holding values (watt)

⁽¹⁾ Make sure that the selected ambient temperature does not exceed the allowable valve temperature characteristics as specified on the appropriate valve catalog sheets

⁽²⁾ AC (-) rectified coil construction

PREFIX TABLE

Prefix							Description
1	2	3	4	5	6	7	
V	C	E	F				Flameproof/Encapsulated - Aluminium NEPSI (GB3836) ⁽³⁾
				H	T		Class H - High temperature
						X	Other special constructions

⁽³⁾ Prefix VCEF - It comes with 12 combination choices of 4 different conduit directions and 3 conduit entries sizes. Refer to details under ORDERING EXAMPLES VALVES

ORDERING EXAMPLES VALVES:

Add prefix corresponding to specific conduit size required to any RedHat II valve catalog number & specify the voltage.

V C E F C M G551H401 MO 110V / 50Hz

prefix ——— V C E F

*options ——— C M

conduit sizes ——— M

basic number ——— G551H401

suffix ——— MO

voltage ——— 110V / 50Hz

A = option A
B = option B
C = option C
D = option D

M = 1/2" NPT
N = 3/4" NPT
P = M20*1.5

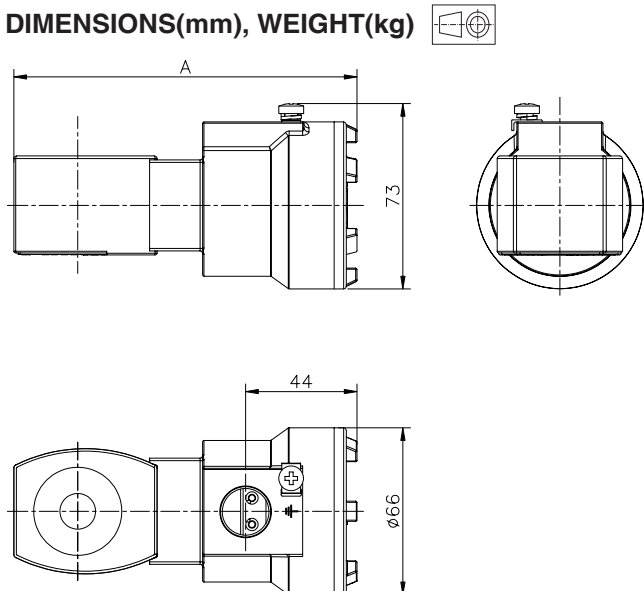
*options

OPTION: A 	OPTION: B
OPTION: C 	OPTION: D

INSTALLATION

- Installation/Maintenance instructions are included with each valve
- The solenoid operators can be mounted in any position without affecting operation
- For optimum life and performance, the solenoid should be mounted vertically and upright to reduce the possibility of foreign matter accumulating in the solenoid base sub-assembly area
- Internal and external earthing connection

DIMENSIONS(mm), WEIGHT(kg)



SOLENOID SIZE	A(mm)	*WEIGHT
M6	129	0.75kg
MXX	136	0.75kg
M12	136	0.75kg

* weight excludes solenoid