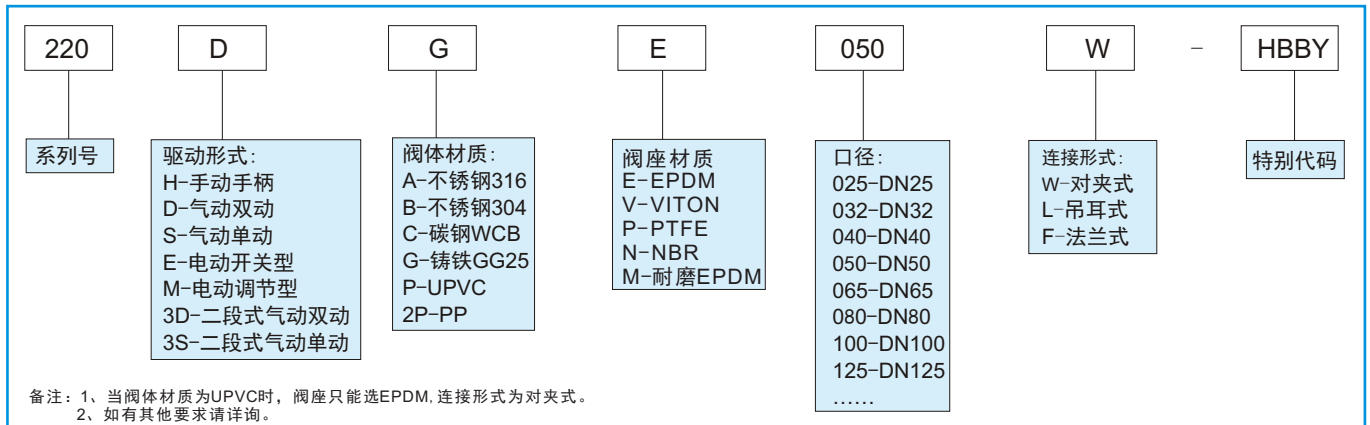


Art. 220系列蝶阀选型表



Art. 220 series butterfly valves ordering NO.



参数 Parameter

设计标准 Design Standard

阀体设计符合ISO 5752标准。

Valve body is designed to meet ISO 5752.

上法兰标准 Upper Flange Standard

24寸及以下, 阀门安装法兰和阀杆符合ISO5211

24" and below, valve mounting flange and stem shall be ISO5211

28寸及以上, 阀门安装法兰符合ISO5211,其阀杆应为圆键连接。

28" and above, valve mounting flange shall be per ISO5211, stem shall be round keyed.

法兰标准 Flange Standard:

LB200:GB9113.1、ANSI 150、B16.5、JIS B2211

所有连接器(对夹式)都有定位孔便于安装。

All wafers have locating holes for ease of installation

压力等级 Pressure Rating

完全关闭时可承受压力:

Bi-directional bubble-tight shut off to : 16bar(230psi)---DN40-DN600mm

10bar(150psi)---DN650-DN1000mm

测试最大额定值的110%时可承受压力:

And tested to 110% of full rating : 18bar(260psi)---DN40-DN600mm

11bar(160psi)---DN650-DN1000mm壳体测试 Shell Testing

阀体能承受最大额定值的150% :

The body strength can stand 150% of full rating : 24bar(340psi)---DN40-DN600mm

15bar(220psi)---DN650-DN1000mm

安装说明 Installation Instruction:

该阀门适用于所有平面或凸面法兰的连接, 无需使用法兰垫片。安装时, 法兰之间应有足够的间隙以便阀门插入, 且密封不受影响。转动阀杆调整好蝶板在阀体中的位置, 将阀门放置于法兰间, 并手动拧紧螺栓。逆时针方向缓慢开启阀门, 检查蝶板净距是否足够。将蝶板重新旋转至10%的开度位置, 再拧紧所有螺栓, 检查蝶板净距是否足够。

The valve is designed for using between all types of flat or raised face flange. Do not use flange gaskets. For proper installation, the space between flanges must be sufficient to permit valve insertion without disturbing the rubber liner flange seal. Rotate the stem to position the disc within the body, place the valve between flanges and hand-tighten the bolts. Slowly open the valve counter clockwise to check for adequate disc clearance. Rotate the disc to 10% open position and cross tighten all bolts again check for adequate disc clearance.

阀杆限位装置 Stem Retaining Mechanism

阀门尺寸在DN350mm以下时, 阀杆通过特殊的Q式设计限位于阀体中, 因此可以不用任何特殊工具就可将阀杆从阀体和阀板中拆除。仅在拆除时, 才可将阀板放置135°左右。

The stem is retained the body through a special Q type design when the size is under DN350mm, so the stem can be removed from the body and disc without any special tools. Only when being disassembled, the valve disc can be positioned around 135°.

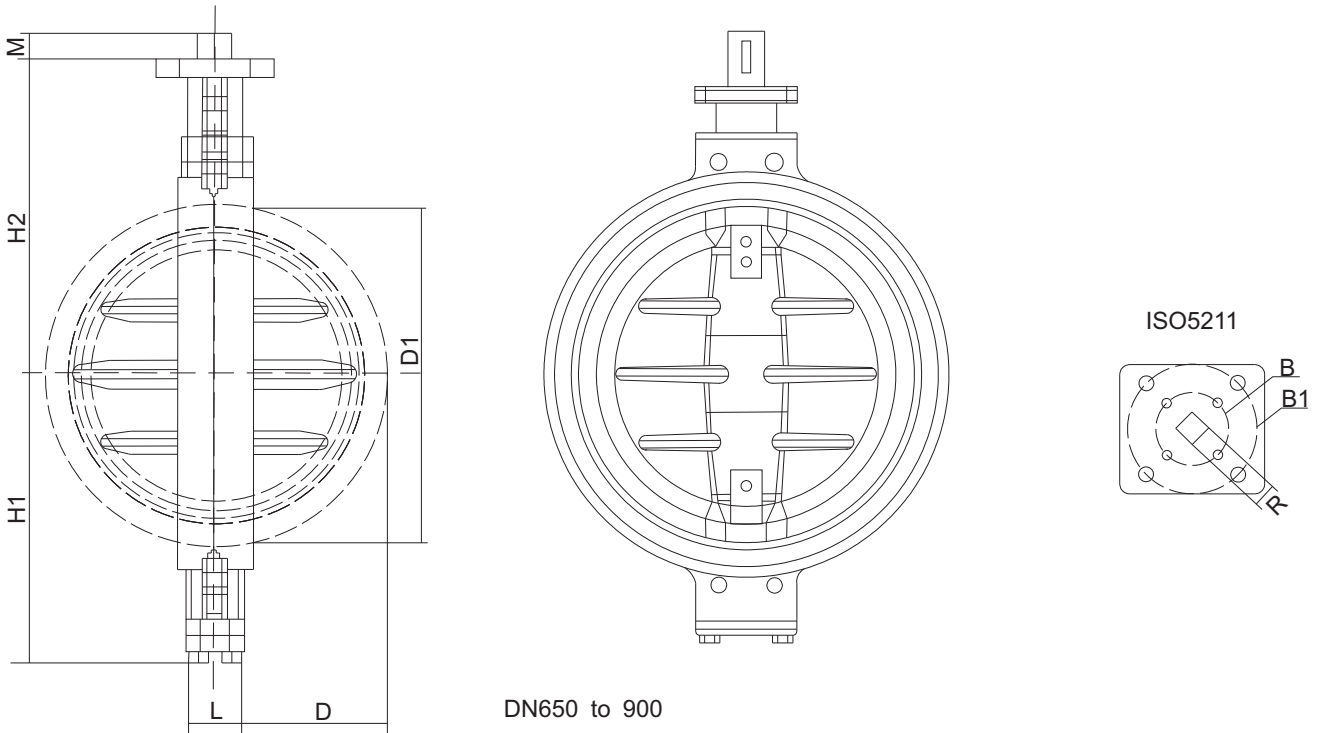
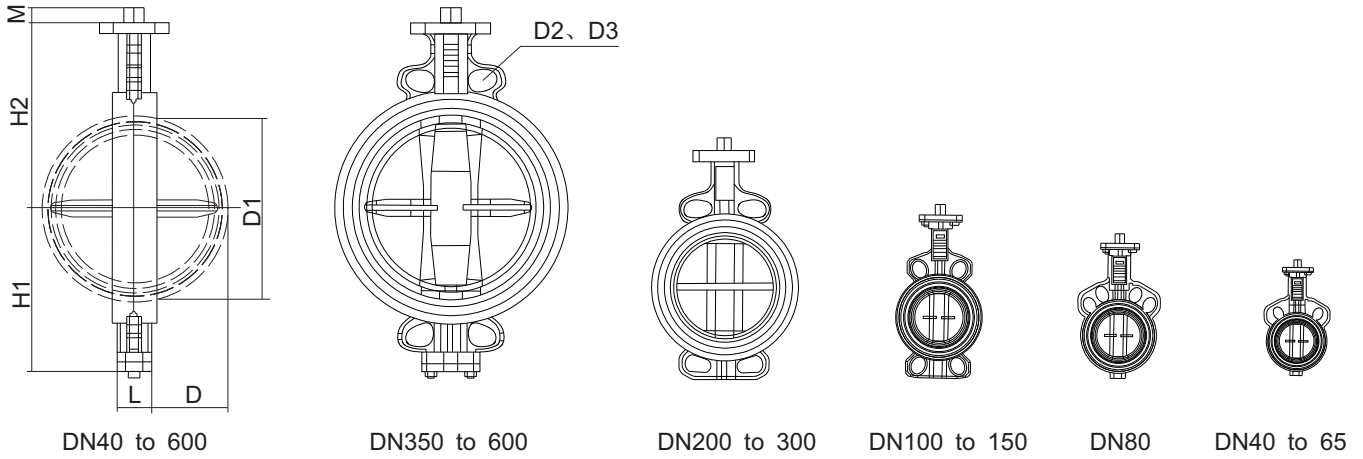
其它 Others

根据客户要求定制 According to customer requirements.

Art. 220系列对夹式尺寸



Art. 220 series WAFER type size



PN10/PN16/ANSI 150LB

Unit: mm

SIZE	L	D	D1	D2	D3	H1	H2	M	R	B	B1	ISO5211	
DN40	1-1/2"	33	7	34	110	98.4	60	120	12.5	11	50	70	F05-F07
DN50	2"	43	8	39	125	120.7	65	143	12.5	11	50	70	F05-F07
DN65	2-1/2"	46	13	55	145	139.7	71	155	15	11	50	70	F05-F07
DN80	3"	46	19	69	160	152.4	77	162	15	11	50	70	F05-F07
DN100	4"	52	27	91	180	190.5	107	181	16	11	-	70	F07
DN125	5"	56	36	115	210	215.9	122	197	19	14	-	70	F07
DN150	6"	56	47	140	240	241.3	150	210	19	14	-	70	F07
DN200	8"	60	68	186	295	298.5	165	240	22	17	-	102	F10
DN250	10"	68	90	239	355	362	201	286	22	19	-	102	F10
DN300	12"	78	111	288	410	431.8	234	309	24	22	-	102	F10
DN350	14"	78	128	325	470	476.3	301	329	29	27	-	125	F12
DN400	16"	102	143	375	525	539.8	333	361	29	27	-	125	F12
DN450	18"	114	162	423	585	577.9	358	393	38	36	-	140	F14
DN500	20"	127	182	473	650	635	392	427	38	36	-	140	F14
DN600	24"	154	214	560	770	749.3	454	492	48	46	-	165	F16
DN700	28"	165	255	655	840	863.6	508	563	110	-	-	165	F16
DN800	32"	190	285	736	950	977.9	592	630	110	-	-	254	F25
DN900	36"	203	331	841	1050	1085.9	632	660	110	-	-	254	F25

备注 D2按照GB9113.1制定 D2 is designed to meet GB9113.1
 Note D3按照ANSI 150LB B16.5制定 D3 is designed to meet ANSI 150LB B16.5

Art. 220系列铸铁气动蝶阀



Art. 220 series cast iron pneumatic Butterfly valve



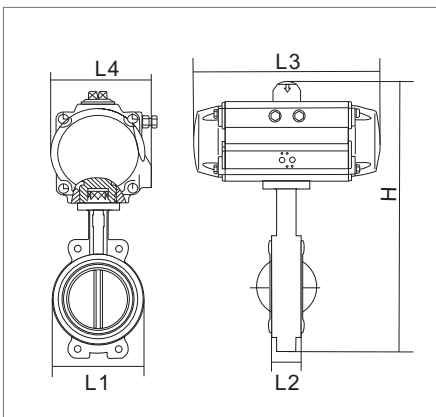
阀体/Body: 铸铁/Cast iron GG25 (可选/Optional: 碳钢/WCB、10619)
 阀座/Seat: 乙丙橡胶/EPDM (可选/Optional: 丁晴橡胶/NBR)
 阀板/Disc: 不锈钢304/CF8 (可选/Optional: 不锈钢316/CF8M、铸铁镀镍板/Cast iron GG25 nickle plated)

连接/Connection: 对夹式/WAFER type (可选/Optional: 支耳式/Lug type)

配 ADESUN 气动执行器/with ADESUN pneumatic actuator

Art: 220DGE***W - ****

型号 CODE	口径										特别代码	双动/Double acting
	220DGE050 W-CDNY	220DGE065 W-CDNY	220DGE080 W-CENY	220DGE100 W-CENY	220DGE125 W-CGNY	220DGE150 W-CINY	220DGE200 W-CJNY	220DGE250 W-CKNY	220DGE300 W-CLNY	220DGE350 W-CMNY		
DN	50	65	80	100	125	150	200	250	300	350	400	
PN	16	16	16	16	16	16	16	16	16	16	16	
ACT	ACD063	ACD063	ACD075	ACD075	ACD090	ACD115	ACD125	ACD145	ACD160	ACD190	ACD190	
H (mm)	299	318	365	395	443	502	597	695	780	881	945	更大口径另询 More size on request
L1 (mm)	92	106	122	150	177	204	260	314	370	422	473	
L2 (mm)	42	45	45	52	55	56	61	66	77	77	102	
L3 (mm)	168	168	219	219	249	315	354	417	452	539	539	
L4 (mm)	83	83	96	96	106	132.5	150	169.5	185	215	215	
参考重量(KG)	3.8	4.1	5.5	7.3	11	17	24	35	50	72	92	
¥												



Art: 220SGE***W - ****

型号 CODE	口径										特别代码	单动/Single acting
	220SGE050 W-CGNY	220SGE065 W-CGNY	220SGE080 W-CHNY	220SGE100 W-CINY	220SGE125 W-CJNY	220SGE150 W-CKNY	220SGE200 W-CMNY	220SGE250 W-CNNY	220SGE300 W-COXY	220SGE350 W-CPNY		
DN	50	65	80	100	125	150	200	250	300	350	400	更大口径另询 More size on request
PN	16	16	16	16	16	16	16	16	16	16	16	
ACT	ACS090	ACS090	ACS100	ACS115	ACS125	ACS145	ACS190	ACS210	ACS240	ACS240	ACS270	
H (mm)	333	352	392	434	497	553	681	778	885	946	1051	
L1 (mm)	92	106	122	150	177	204	260	314	370	422	473	
L2 (mm)	42	45	45	52	55	56	61	66	77	77	102	
L3 (mm)	249	249	274	315	354	417	539	671	671	671	723	
L4 (mm)	106	106	122	132.5	150	169.5	215	236	261	261	294	
参考重量(KG)	7	7.2	9.3	14.5	21	29	53	82	102	112	328	
¥												

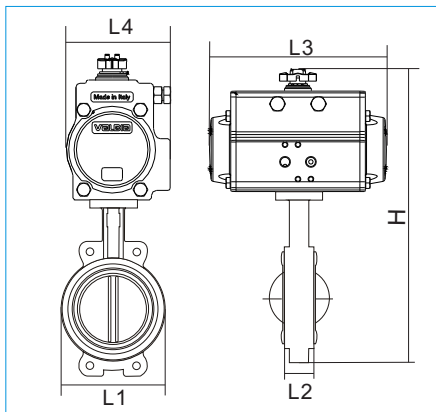
阀体/Body: 铸铁/Cast iron GG25 (可选/Optional: 碳钢/WCB、10619)
 阀座/Seat: 乙丙橡胶/EPDM (可选/Optional: 丁晴橡胶/NBR)
 阀板/Disc: 不锈钢304/CF8 (可选/Optional: 不锈钢316/CF8M、铸铁镀镍板/Cast iron GG25 nickle plated)

连接/Connection: 对夹式/WAFER type (可选/Optional: 支耳式/Lug type)

配 VALBIA 气动执行器/with VALBIA pneumatic actuator

Art: 220DGE***W - ****

型号 CODE	口径										特别代码	双动/Double acting
	220DGE050 W-VDNY	220DGE065 W-VDNY	220DGE080 W-VENY	220DGE100 W-VENY	220DGE125 W-VFNY	220DGE150 W-VINY	220DGE200 W-VJNY	220DGE250 W-VKNY	220DGE300 W-VLNY	220DGE350 W-VMNY		
DN	50	65	80	100	125	150	200	250	300	350	400	更大口径另询 More size on request
PN	16	16	16	16	16	16	16	16	16	16	16	
ACT	DA63	DA63	DA75	DA75	DA85	DA115	DA125	DA140	DA160	DA180	DA200	
H (mm)	313	332	375	405	455	535	615	711	800	893	982	
L1 (mm)	92	106	122	150	177	204	260	314	370	422	473	
L2 (mm)	42	45	45	52	55	56	61	66	77	77	102	
L3 (mm)	113	113	131	131	145	192.4	204.4	227	251	283	308	
L4 (mm)	71	71	94.5	94.5	106	137	148	164	186	213	217	
参考重量(KG)	4.1	4.4	5.6	7.5	11	18	25	36	51	70	98	
¥												



Art: 220SGE***W - ****

型号 CODE	口径										特别代码	单动/Single acting
	220SGE050 W-VFNY	220SGE065 W-VFNY	220SGE080 W-VHNY	220SGE100 W-VINY	220SGE125 W-VKNY	220SGE150 W-VLNY	220SGE200 W-VMNY	220SGE250 W-VONY	220SGE300 W-VPNY	220SGE350 W-VPNY		
DN	50	65	80	100	125	150	200	250	300	350	400	更大口径另询 More size on request
PN	16	16	16	16	16	16	16	16	16	16	16	
ACT	SR85	SR85	SR100	SR115	SR140	SR160	SR180	SR230	SR270	SR270	SR270	
H (mm)	345	364	402	467	537	593	693	839	978	1039	1103	
L1 (mm)	92	106	122	150	177	204	260	314	370	422	473	
L2 (mm)	42	45	45	52	55	56	61	66	77	77	102	
L3 (mm)	240.5	240.5	275	333	435	493	500	690	672	672	672	
L4 (mm)	106	106	123	137	164	186	213	248.5	290	290	290	
参考重量(KG)	6	6.5	8.5	13.5	23.5	32	43	78	112	122	141	
¥												